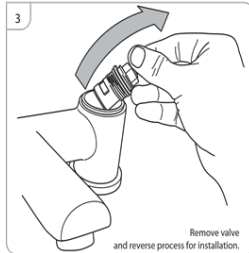
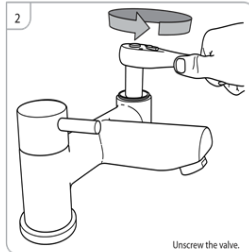
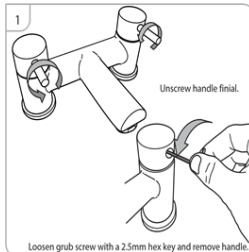


### Trouble Shooting

1. Only runs Hot or Cold waters (Hot or cold supplies are plumbed wrong way around).
2. Shower will not run hot enough when first installed (rise up the temperature setting).
3. Cold water tracking through the valve into the hot water system (please check and clean the Check-valve cartridge and filters).
4. There is a splash or low flow-rate (clean the Aerator, sprayer or filters)
5. Leaking from the handle or drips from Spout (Clean or replace the cartridge).

### Cartridge Maintenance

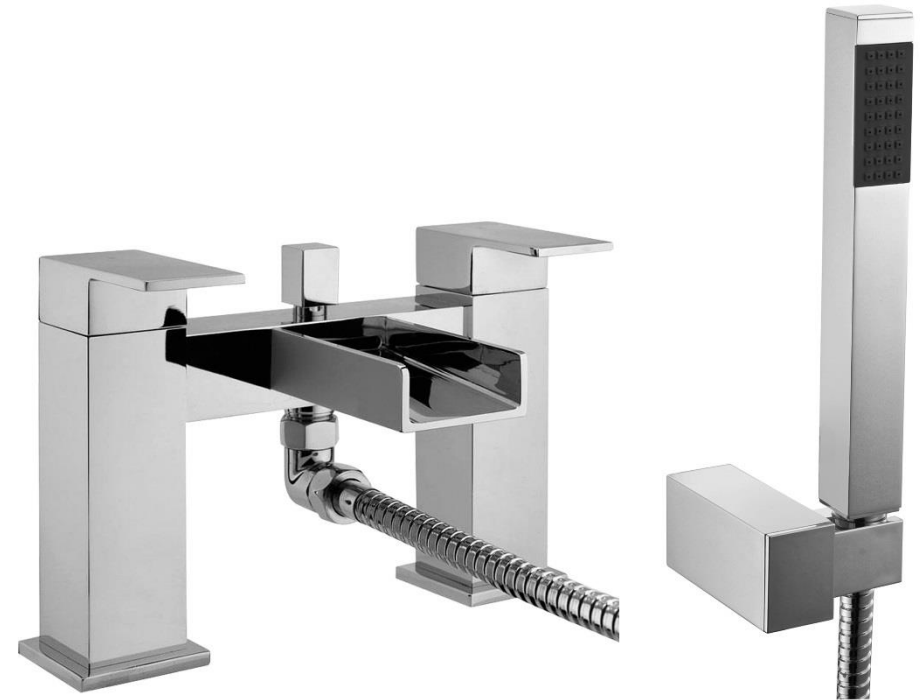
1. Refer to the drawings below, remove the screw-cap or Indice and unscrew the Handle by Allen-key or screw-driver.
2. Remove the Chrome, Collar, Cartridge cover or Mounting-washer if have.
3. Unscrew the Cartridge-nut with adjustable wrench, then take out the cartridge.
4. Put the cartridge back after cleaning (or Place a new cartridge in if need), tighten the cartridge nut, then assemble the handle by securing the screws. **DO NOT OVER-TIGHTEN !**



### AFTER CARE

It is important that tile grout or any aggressive cleaners do not come into contact with the tap and cleaning should be with warm soapy water and the tap thoroughly dried after cleaning.

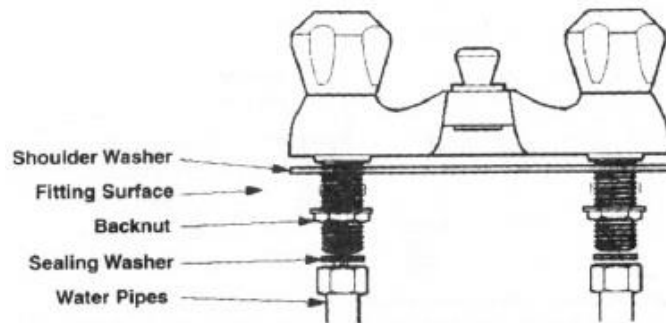
  
ALFRED VICTORIA  
ENGLAND  
kitchen & bathroom brassware



## Deck Mounted Bath and Shower Mixer

Installation & aftercare instructions  
Please retain for future reference

1. Prior to installation flush out the pipe work to remove debris and then ensure that the water supply is turned off.
2. Refer to diagram and check that all components are present.
3. Screw the threaded bars into their location inside the mixer body.
4. Fit the mixer body to the bath using the supplied rubber washer, metal washer and fixing nuts in the order indicated in the drawing.  
DO NOT over-tighten as this may damage the bath. Remember to install the rubber o-ring between the bath mixer body & the bath.



5. Connect the water supply to the BSP Tails. Hot supply should always be connected to the left hose
6. Fully open mixer on both hot & cold sides & allow water to run for approximately one minute to further flush the system.
7. Check all connections to ensure there are no leaks.

## GENERAL GUIDELINES FOR TAP INSTALLATION AND CARE INSTRUCTIONS

**Before commencing to install the taps & shower please read all of the following instructions carefully. Failure to observe these guidelines could invalidate the warranty on the product.**

It is important for optimum performance of the tap that the hot and cold water supplies are balanced.

Local water authority regulations require that isolating valves are fitted to pipework beneath the tap to allow the tap to be individually isolated. This makes servicing or replacement much easier.

**Any warranty claim on the tap will be handled on the basis that isolating valves have been fitted**

Bath panels MUST be installed so that they can be removed to allow servicing/replacement of the tap and MUST NOT be tiled in. The panel must be installed AFTER all tiling has been completed.

Basin wastes should be installed with a bead of silicone to ensure a watertight seal and the rubber washer fitted before the nut. Do NOT over-tighten the nut, this could damage the basin and invalidate the warranty.

Where flexi tails are supplied it is essential they are NOT over-tightened.

Once the tap has been installed the water supply should be turned on and the whole installation thoroughly checked for leaks. It is ESSENTIAL that the system is thoroughly flushed to remove any debris or foreign matter which could become lodged under the valve seat and cause dripping or premature failure.

Do not exceed the recommended maximum BAR pressure