

## Thermostatic Concealed Shower Valve SQUARE 2 Knob 1 way



Please retain this manual after installation for future reference and maintenance.

Product must be installed in compliance with relevant Water Regulations and Byelaws



### **IMPORTANT**

Flush system prior to installation.

Check for leaks after installation.

Hot supply must be on the left.

Check for pipes and wires, before commencing installation

## **Product Specification**

Minimum Pressure	0.5 bar
Maximum Pressure	6.0 bar
Cold Supply Temperature	4 - 20°C
Hot Supply Temperature	55 - 65°C

G3/4" female inlets

G1/2" female outlet

38°C Temperature stop position

Minimum 10°C difference between hot supply and mixed outlet temperature

Maximum mixed temperature is recommended no higher than 43 °C

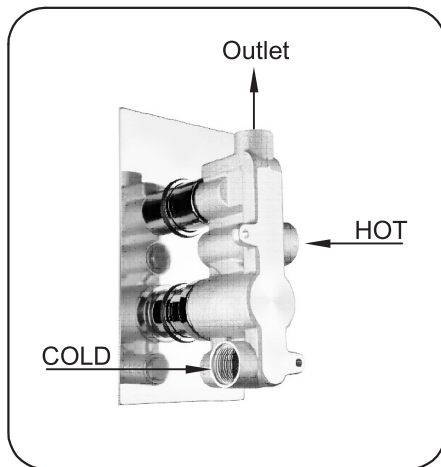
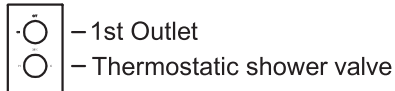
Pressures should be balanced

## **Cleaning**

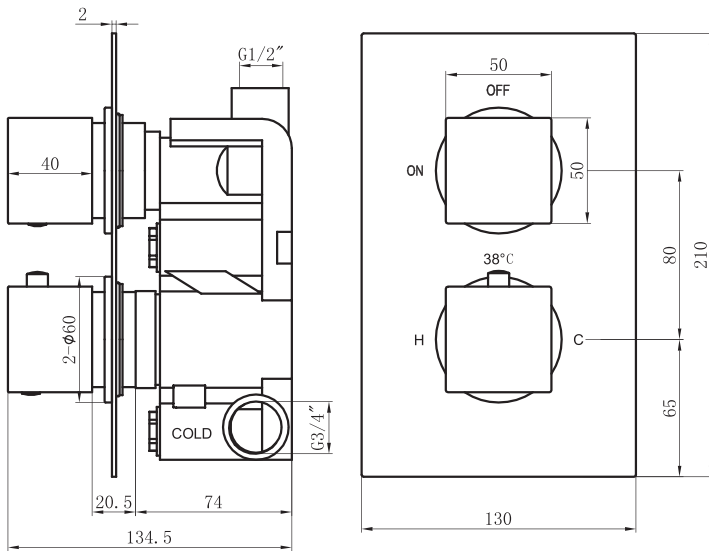
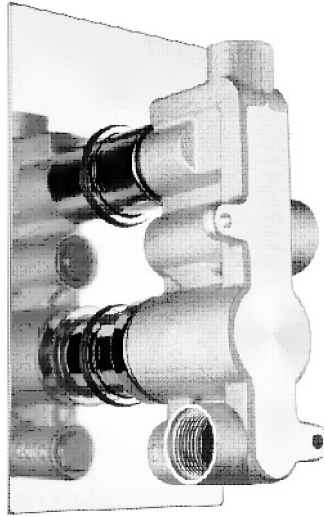
All surfaces should be cleaned using a clean damp cloth.

No abrasive cleaning agents or materials should be used.

## **OPERATION**



# Dimensions



## INTRODUCTION

This guide provides instruction for the installation operation and maintenance of concealed dual and triple control shower valves. It is beyond the scope of this guide to provide detailed instructions for the installation for auxiliary products which may be attached to these valves.

These shower valves must be installed in accordance with the Water Supply (Water Fittings) Regulations 1999 and in accordance with the BuidCert TMV2 scheme.

## OPERATING CONDITIONS OF USE

Before installation the operating conditions of use must be checked. The table below contains details of the necessary conditions of operation. If your water supply cannot meet these conditions then the valve cannot be guaranteed to operate as a Type 2 TMV2 certified shower valve. This valve is suitable for use in both low pressure (BS 1287) and high pressure (BS 1111) operating conditions.

### Unbalanced Water Supply

Valves must always be operated within either the range for BS 1287 OR BS 1111 as described in the table below. Valves cannot operate effectively where a hot or cold pressure system crosses the boundaries of the two ranges. In addition the maximum ratio of unbalanced hot and cold water pressures for the valves to operate effectively is 5:1. Hot or cold pressure must be reduced or boosted so as to work within the required range.

### Water Pressure requirements

Minimum running water pressure : 0.5 bar

Maximum running water pressure: 5.0 bar

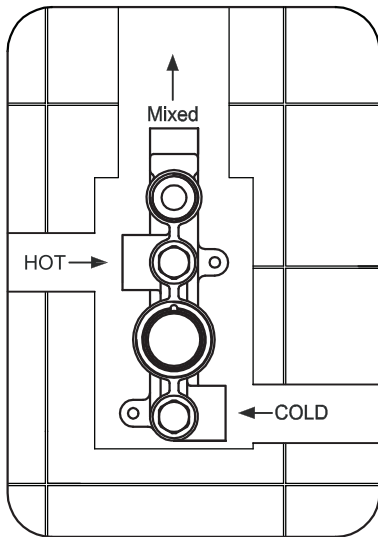
Maximum static water pressure : 10 bar

### Water Minimum Flow Rate

For your shower to perform well you should ensure that the pressure is as specified and a minimum flow of 5 litres per minute is available at both hot and cold inlets.

	Low Pressure BS1287	High Pressure BS1111
MAX Static(BAR)	10	10
Flow Pressure(BAR) Hot and Cold	0.2 - 1.0	0.2 - 5.0
Hot Supply(°C)	55 - 65	55 - 65
Cold Supply(°C)	MAX 25	MAX 25
Mixed Water(°C)	MAX 44	MAX 44

## Installation

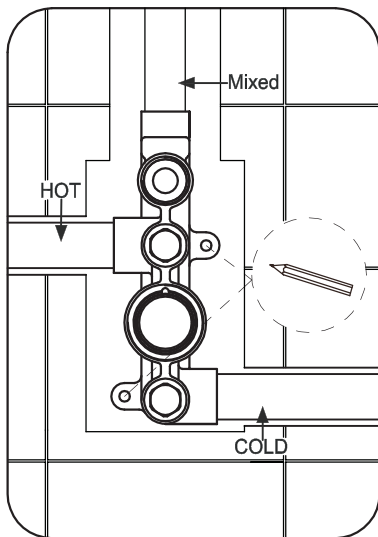


Prepare pipes in wall to connect to shower, with cold on the right.

Ensure these pipes are flushed before connecting the mixer.

A 1/2" male fitting will be required (not supplied) to connect the outlet pipe to the mixer.

Two 3/4" male fittings will be required (not supplied) to connect the supply pipes to the mixer.



Offer the mixer into the recess and mark fixing locations.

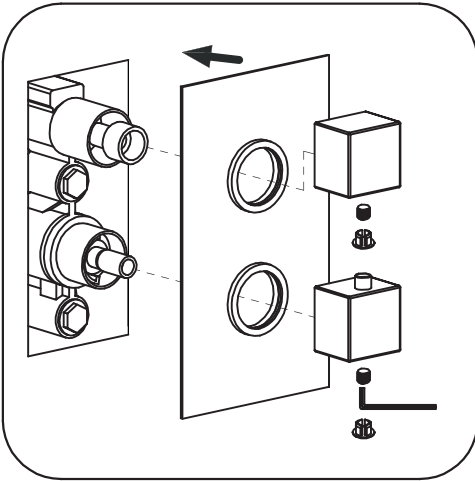
Remove the mixer, depending on the wall type, drill the holes and insert plugs, if a solid wall.

Screw to a wooden batten if fitting into a stud wall.

Connect pipes to mixer and secure mixer into position.

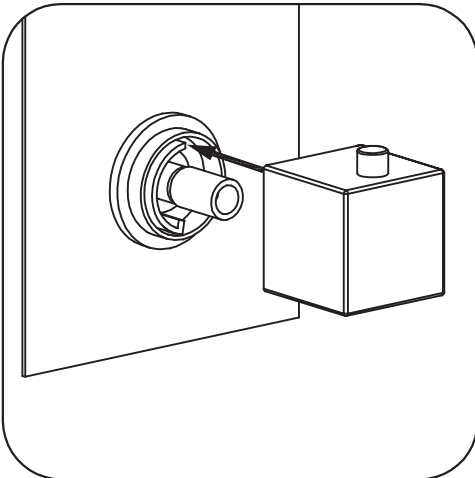
Ensure the mixer is level.

## Installation



Once the mixer has been fitted and secured, push the concealing plate over the mixer body, sealant should be applied between the plate and the wall.

Next push on the flow control handle on to the top valve in the mixer, tighten the grub screw using an allen key and insert screw cover.



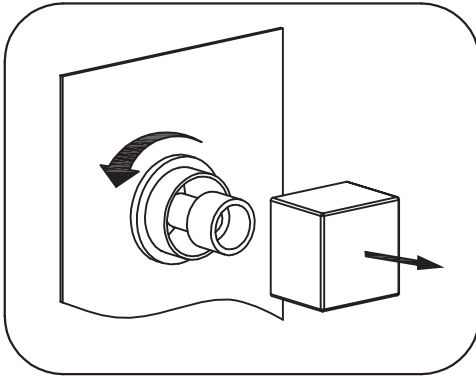
Fit temperature control handle to thermostat, ensuring the stop pin inside the handle, is located against the top of the stop ring.

To test this, once fitted, turn the handle to cold, then back to the stop position, press the button and continue to turn.

If the handle does not function correctly remove and re-assemble.

## Maintenance

### Flow control valve removal



In the event that you should need to remove the flow control valve, first turn off water supply.

Remove the handle, unscrew the chrome shroud.

Using a spanner remove the flow control valve.

### Filter Cleaning

Over a period of time, Lime scale or debris build up may occur and could affect the performance of the mixer.

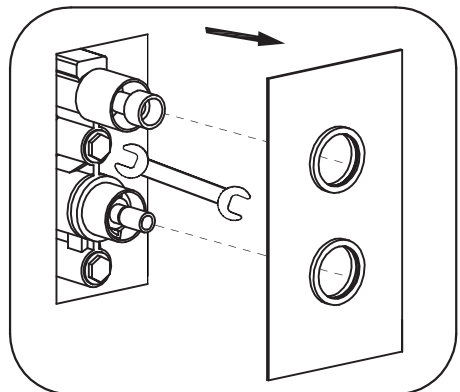
Turn off water supply.

Cleaning of the filters could assist in returning the thermostat to its original performance.

Remove the handle from the mixer, remove the concealing plate.

Remove the filter covers, remove the filters and non-return valves.

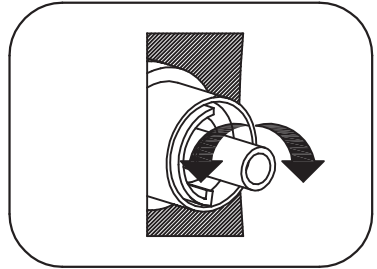
Run these under warm water and rub or wipe to remove build up.



### Re-calibration

Your product is factory set under balanced pressures, with specific inlet temperatures, as your site conditions may differ, the temperature stop position may require re-setting, to achieve the 38 °C.

Turn the handle to the stop position, remove screw cover and loosen grub screw, inside handle.



Pull the handle from the mixer. DO NOT remove the plastic stop ring.

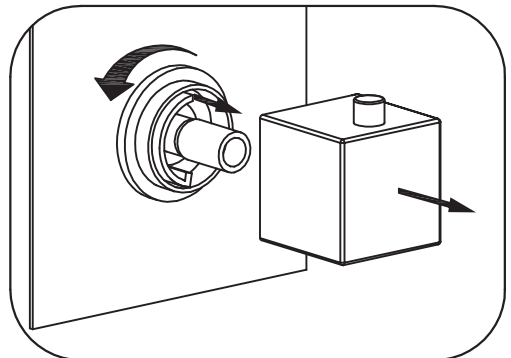
Turn the spindle until the 38 °C is achieved, once this has been reached ,replace the handle, so that the stop pin inside sits against the stop ring.

### Thermostat removal (Turn off water supply)

Over a period of time, lime scale or debris build up may occur and could affect the performance of the thermostat.

Cleaning of the thermostat could assist in returning the thermostat to its original performance.

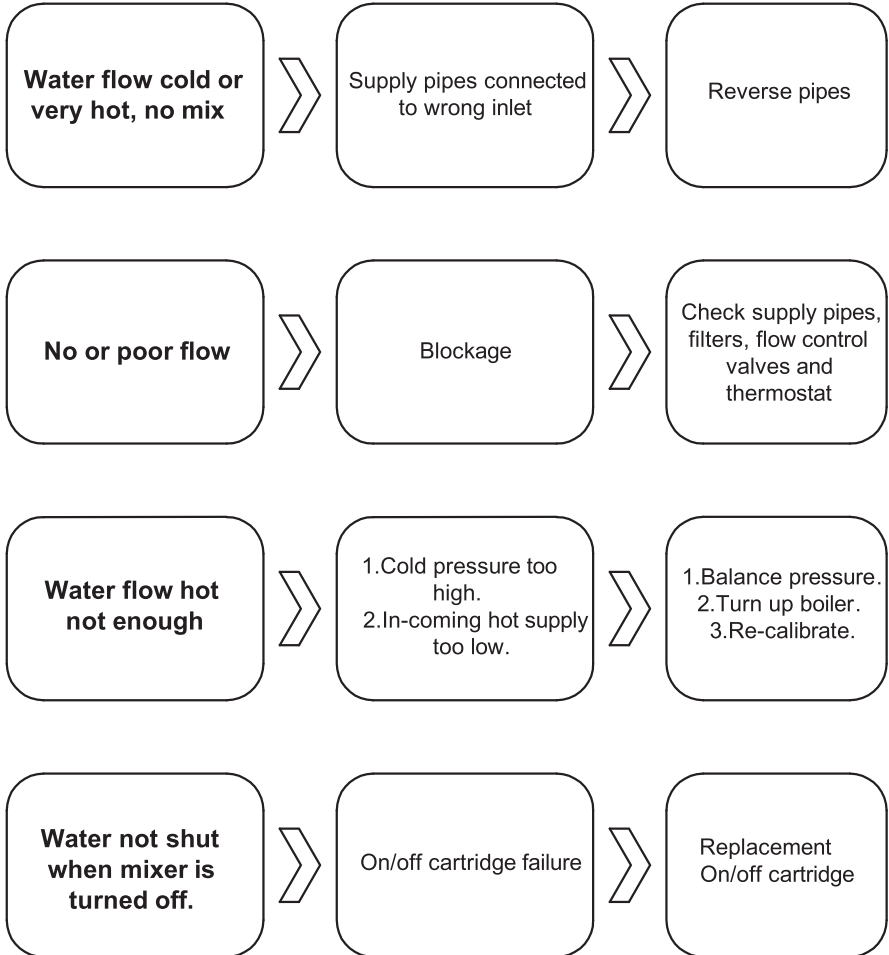
Remove the handle from the mixer, remove the stop ring and unscrew the chrome shroud.



Using a spanner remove the thermostatic cartridge.

Run this under warm water and rub or wipe to remove build up.





# Guarantee

This product comes with guarantee ( please refer to the seller for details of guarantee) when installed, used and cleaned in accordance with this manual.

## Not covered by the guarantee is:

- Breakdown due to -
  - a) Use other than domestic
  - b) Willful act neglect
  - c) Any malfunction resulting from incorrect use
  - d) Incorrect setting of controls
  - e) Any malfunction resulting from poor water quality
- Repair costs for damage caused by foreign objects or substances.
- Total loss of the product due to non-availability of parts.
- Compensation for loss of use of the product or consequential loss of any kind.
- Call out charges where no fault has been found with the product.

**NOTE:** The guarantee on the cartridges and valves is invalidated if damage is caused by waterborne debris.

**NOTE:** All products must be installed in a manner providing access for servicing or replacement during the life of the product.

We have a policy of continuous improvement and reserve the right to change specifications without notice.

Please retain this document for future reference.

## Not covered by the guarantee is:

- The cost of repair or replacement of pressure relief devices, spray heads, hoses, riser rails and/or wall bracket or any other accessories installed at the same time.
- The cost of routine maintenance, adjustments, overhaul, modifications, loss or damage, arising therefrom, including the cost of repairing damage, breakdown, malfunction caused by corrosion, furring, pipe scaling, lime scale, system debris or frost.