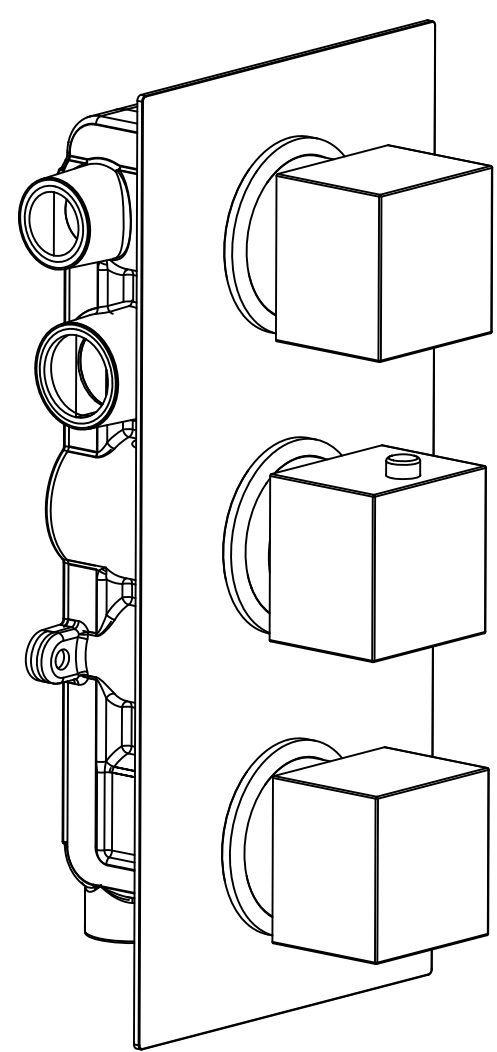


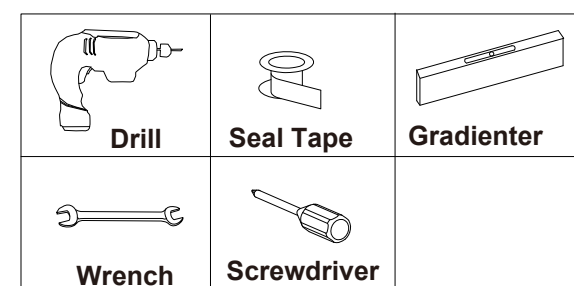
CONCEALED THERMOSTATIC SHOWER MIXER VALVE INSTALLATION



READ BEFORE INSTALLATION

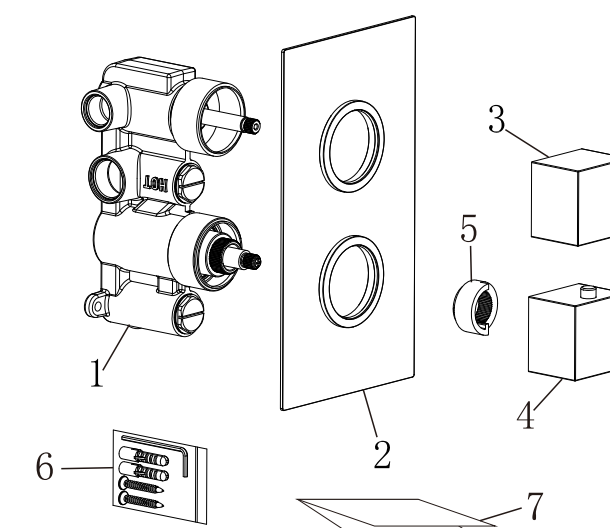
1. Before installation begins please check contents of completeness according to the below list, if any missing or defect, please contact with the seller immediately.
2. The main part of the product has been tested and debugged by the factory, please do not disassemble by yourself, so as not to affect the performance.
3. We recommend that product are installed by a qualified plumber. Hot and cold water pipes must comply with the valve marks, left HOT & right COLD. Otherwise, product cannot operate effectively.
4. Before installation begins please check for pipework, it is good practice to flush pipework for a few minutes before installing valve to minimize the chances of debris blocking damaging the valve.
5. Water pressure requirement: 0.05-0.5MPa. Water temperature recommended: Cold supply: MAX25°C Hot supply: 55-65°C.
6. Product is suitable for use in the the maximum ratio of unbalanced hot and cold water pressures for the valve to operate effectively is 5:1, hot or cold pressure must be reduced or boosted so as to work within the required range.
7. When the product is used in the environment of less than $\phi 23$, attention to prevent the product from freezing and cracking.

Tools requirement

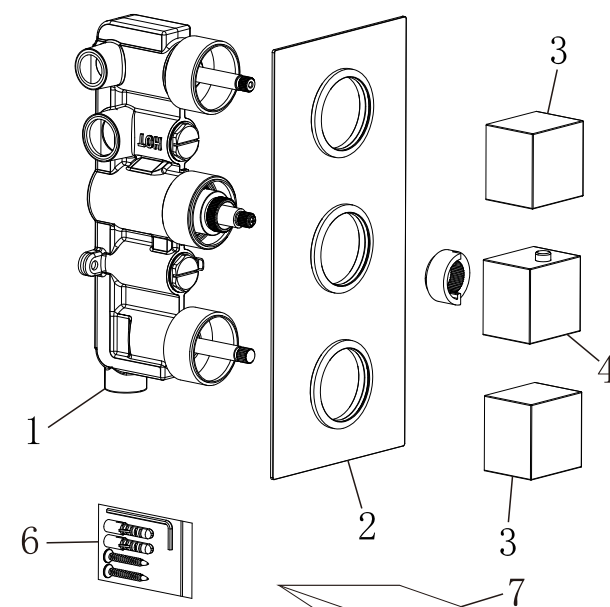


PARTS LIST

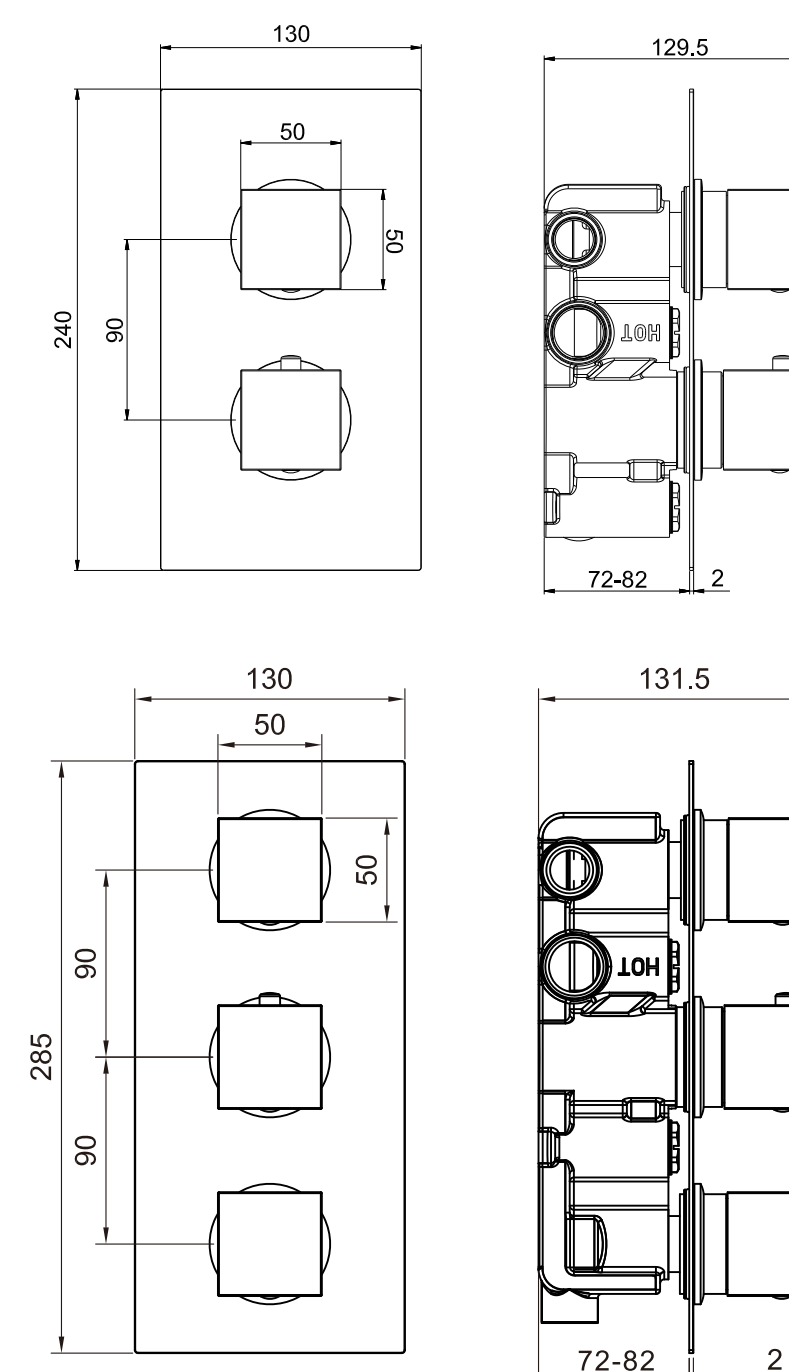
ITEM	PARTS
1	Valve Body
2	Cover Plate
3	Flow Handle
4	Thermo Handle
5	Handle Setting Ring
6	Screw Bag
7	Installation



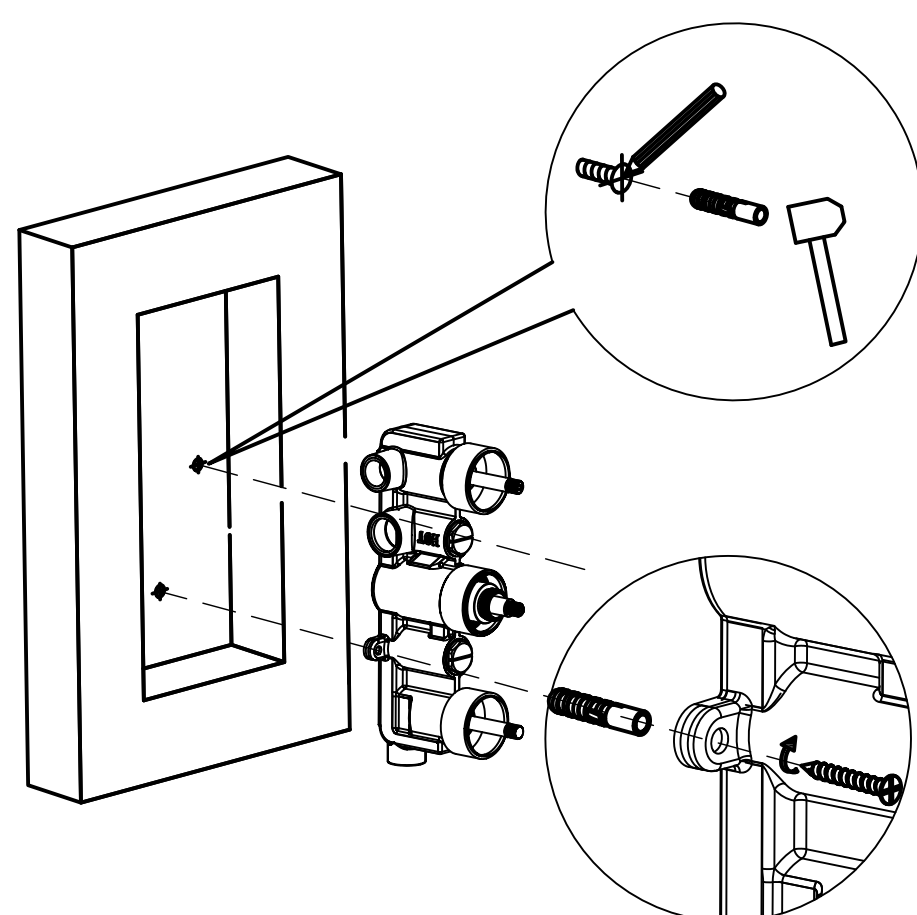
ITEM	PARTS
1	Valve Body
2	Cover Plate
3	Flow Handle
4	Thermo Handle
5	Handle Setting Ring
6	Screw Bag
7	Installation



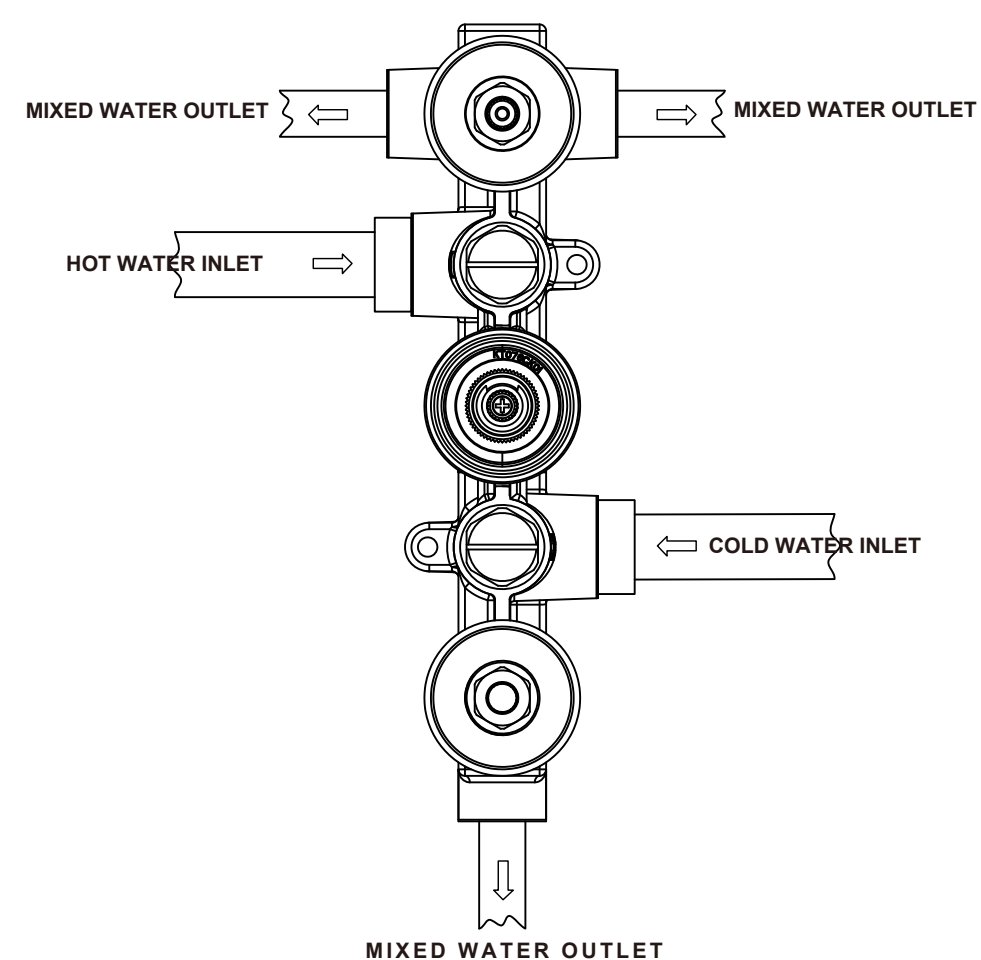
DRAWING



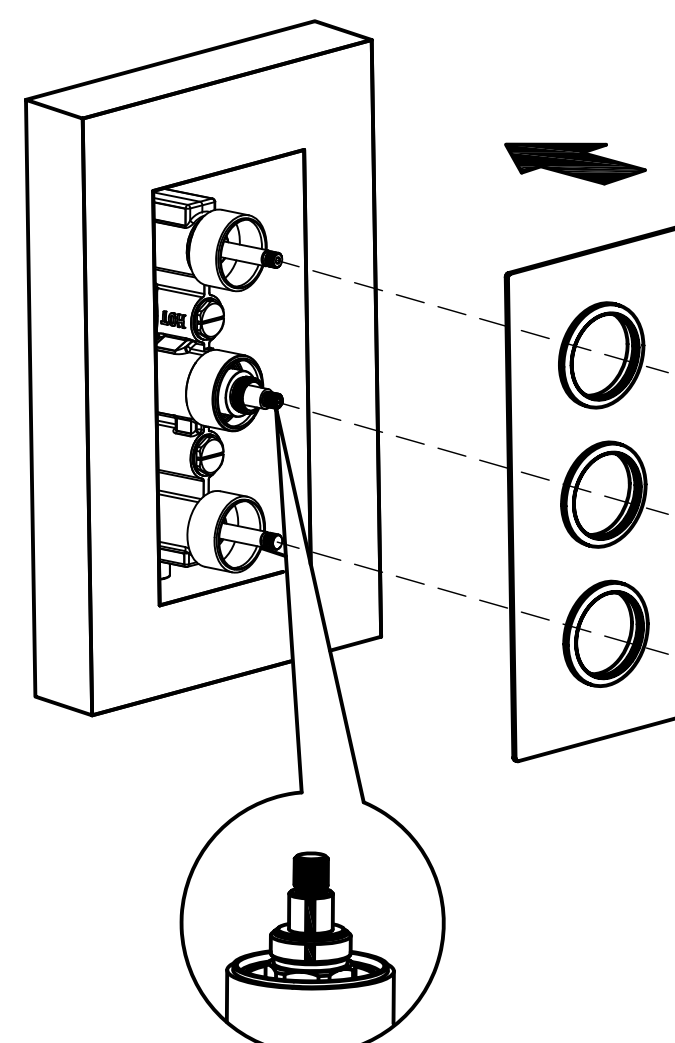
STEPS



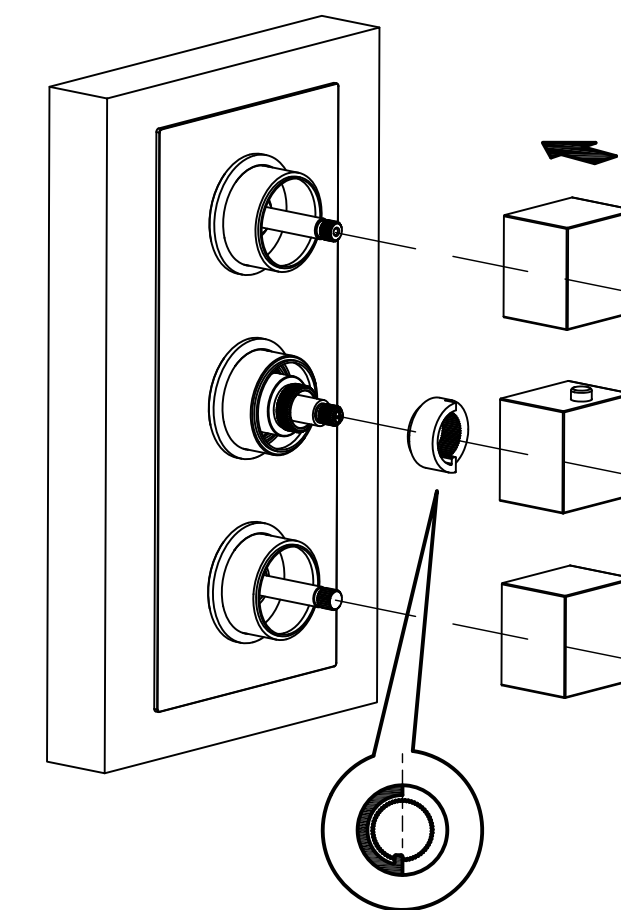
Determine the mounting position for the valve, refer to installation dimensions drawing, reserve the recess in the wall in which to mount the valve. The depth of the recess should be min 72mm, max 82mm. Fix the valve with tapping screws and expanded rubber.



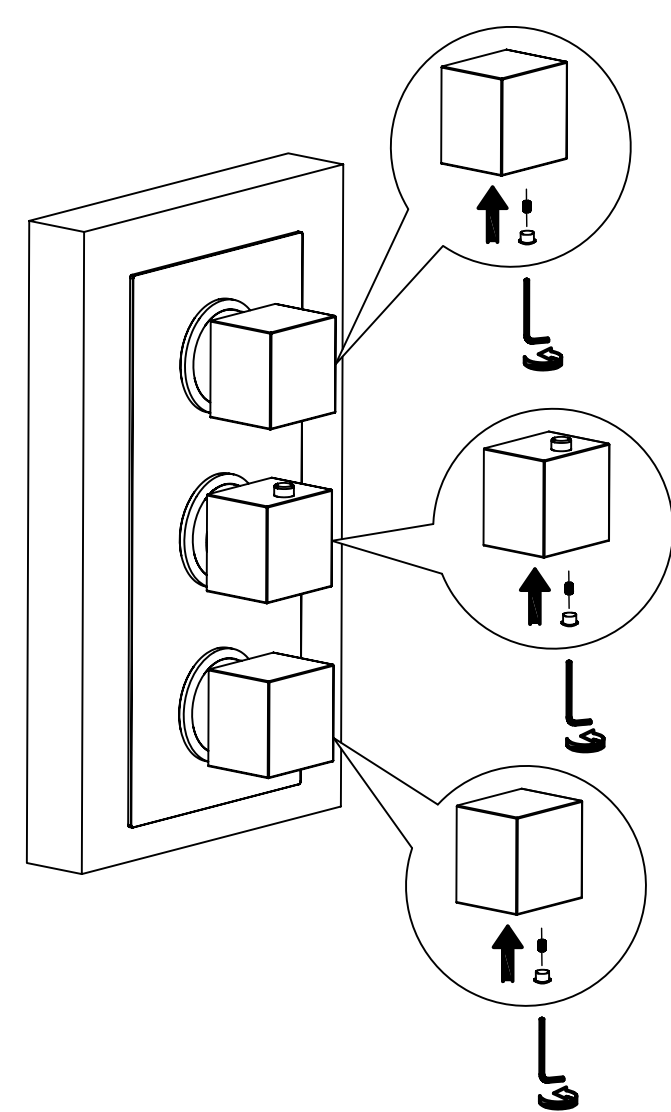
Connect the valve with the hot and cold water pipes (cold and hot water shall not be connected to the opposite, otherwise, it cannot be operate effectively), the outlet connected to the shower head, handset, or spray, and check whether the joints are leaking.



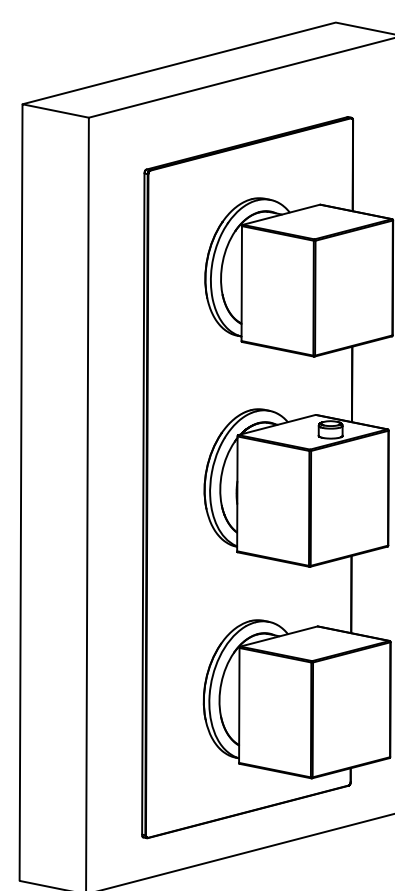
Check if the marking line of the thermostatic cartridge are aligned, and then put on the cover plate.



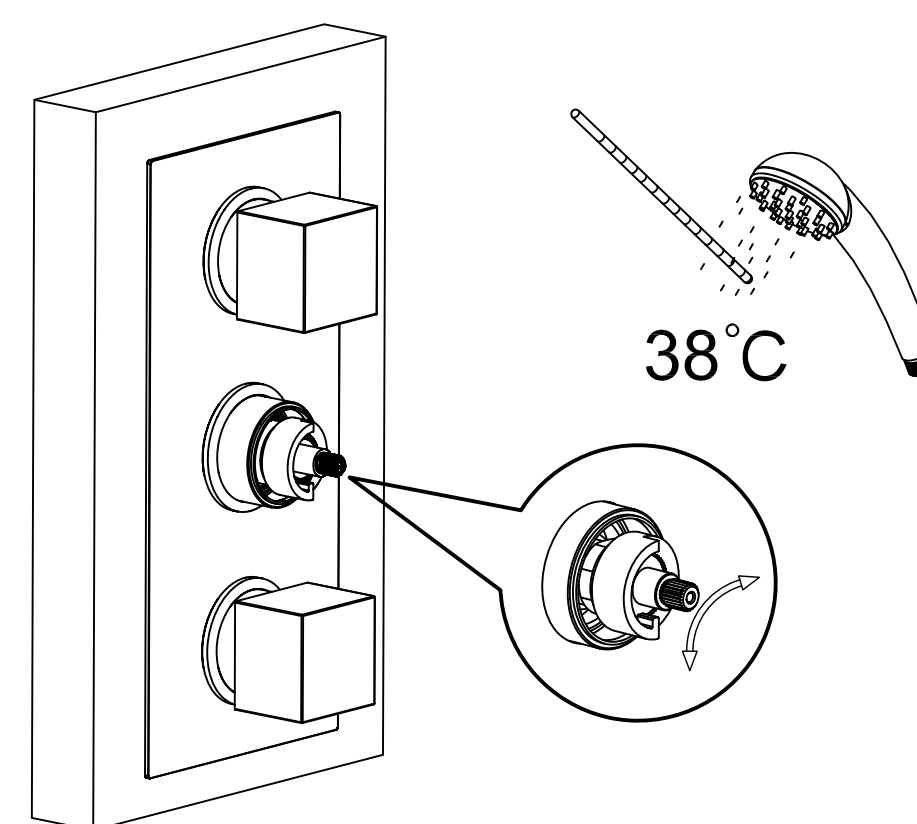
Fix the setting ring, thermo handle, flow handle.



Tighten the screws with Allen key.



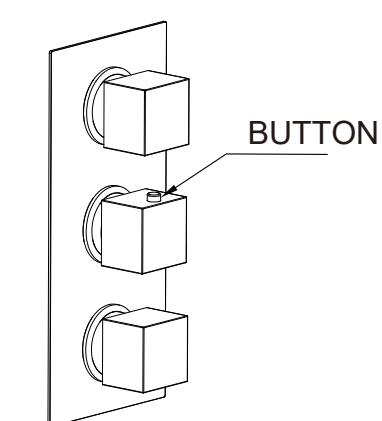
Check if the valve can be used normally.



If a large deviation of the outlet water temperature around 38°C (deviation of $\pm 2^\circ\text{C}$ is the normal range), remove the thermo handle, fine-turn the handle left and right to adjust the water temperature to $38 \pm 2^\circ\text{C}$, and then reinstall the thermo handle.

INSTRUCTION

Turn the flow handle to control the on /off switch and adjust the flow rate, diverter handle to control the outlet. Turn the thermo hand to adjust the water temperature, clockwise to low temperature, anticlockwise to high temperature. Mix outlet water temperature will automatically return to the temperature set last time when the valve is used next time.



MAINTENANCE and CLEANING

When the shower does not regulate the water temperature as it should or the flow is reduced, press down the safety button on the Thermo handle, apply a small force to the thermo handle to turn it to the hottest setting and then the coldest setting for a few seconds. This will flush out any debris or limescale lodged inside the cartridge. Repeat the operation to recover the function of the thermostatic cartridge.

Please clean the valve regularly by wiping with a soft, damp, clean cloth and polished by a soft dry duster. NO abrasive powder, detergents or polishes should be used, cleansers containing alcohol, acid or corrosive chemicals should NOT be used.

If use volatile detergents rinse bathroom, please adequate clean timely, in case detergent volatiles to the valve surface and cause corrosion of the surface.

