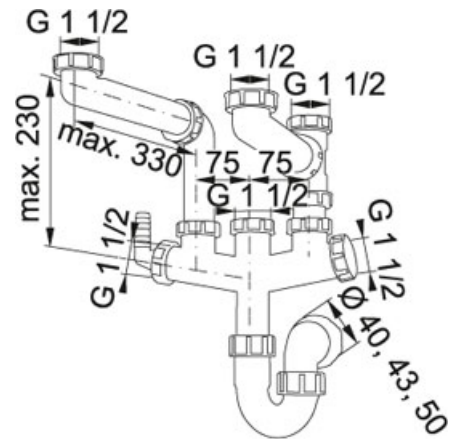


Plumbing Kits Siphon II | 112.0052.536

FAMILY : Kitchen solutions | SERIE : Plumbing Kits | MODEL : Siphon II | FINISH : Other | INSTALLATION TYPE : Sink/Worktop



For 1.5 and double bowl sinks. Franke Siphon Plumbing Kits are designed to assist in optimising the underside of the cabinet space and in many cases provided for better utilisation of under-sink storage. Siphon Plumbing Kits have a manifold with an incline and an air vent for faster water disposal, together with a unique Waste Disposal Unit connector on all three models. Made of rigid grey polypropylene, these plumbing kits are the hygienic solution to a Franke sink waste system.

TECHNICAL DATA

Version	1+1/2 Bowl Sink
---------	-----------------
