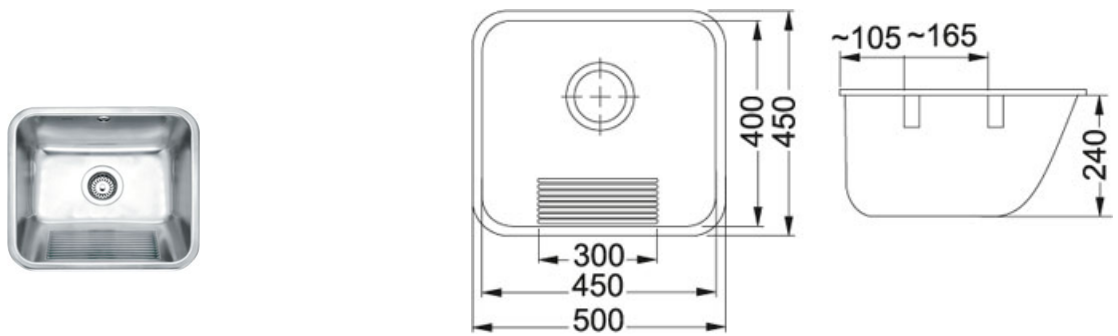


# Utility 50 UTX 610 Stainless Steel | 113.0159.658

FAMILY : Sinks | SERIE : Utility 50 | MODEL : UTX 610 | FINISH : Stainless Steel | INSTALLATION TYPE : Inset



## TECHNICAL DATA

Cabinet Size	600.00 mm
Length Overall	500.00 mm
Width Overall	450.00 mm
Bowl Length	450.00 mm
Bowl Width	400.00 mm
Bowl Depth	240.00 mm
Cutout Length	460.00 mm
Cutout Width	410.00 mm
Cut-Out Template	No
Remarks	IMPORTANT: Cut-out corner radius = 50mm Not suitable for solid surface worktop installation.

Utility 50 UTX 610 Stainless Steel | 113.0159.658

FAMILY : Sinks | SERIE : Utility 50 | MODEL : UTX 610 | FINISH : Stainless Steel | INSTALLATION TYPE : Inset

---

**SUGGESTED PRODUCTS**

---



---

115.0050.044

---



---

112.0059.946

---



---

115.0158.974

---