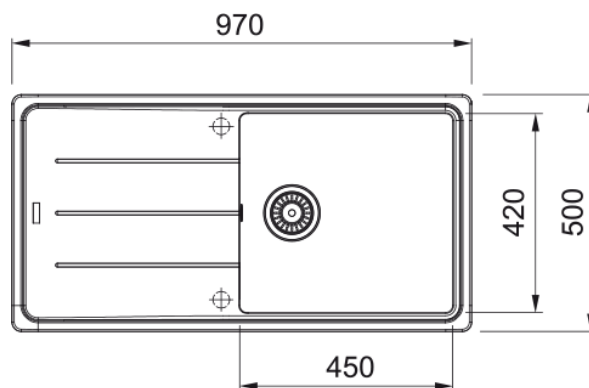


BASIS BFG 611-970 REV Oyster | 114.0633.736



Technical Data

Product Information

Sink type	Sink (w/ drainer)
Type of material	Granite
Number of bowls	1
Color	Oyster
Finish	None

Dimensions

External size: right to left	970.0
External size: front to back	500.0
Bowl 1 size: right to left	450.0
Bowl 1 size: front to back	420.0
Bowl 1: depth	200.0
Cutout inset: right to left	950.0
Cutout inset: front to back	480.0

Installation

Minimum cabinet size	60 cm
----------------------	-------

Product specifications

Installation type	Inset
Waste outlet	3 1/2"
Position of drainer	Reversible drainer

Product Identification

Product brand	FRANKE
Product family	Maris
Model range	Basis
Approval logo	CE
Approval logo	UKCA

Properties

Drainers number	1
-----------------	---

Features

Product reversibility	Yes
Tap ledge	No
Waste kit include	Yes
Waste kit type	Manual
Siphon included	No
Number of tap holes	2 - pre drilled
Soap dispenser hole	No