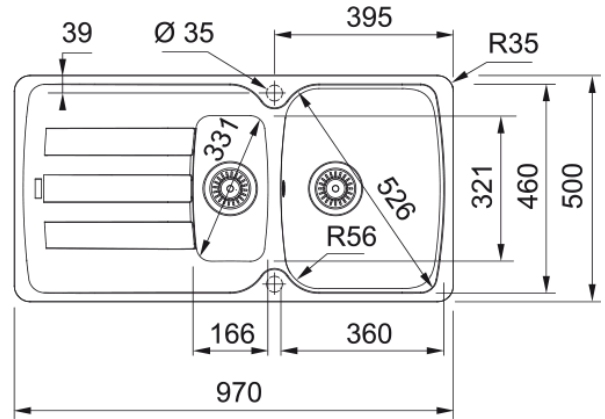


# ANTEA AZG 651 REV Stone Grey | 114.0633.740



## Technical Data

### Product Information

Sink type	Sink (w/ drainer)
Type of material	Granite
Number of bowls	1,5
Color	Stone grey
Finish	None

### Dimensions

External size: right to left	970.0
External size: front to back	500.0
Bowl 1 size: right to left	360.0
Bowl 1 size: front to back	460.0
Bowl 1: depth	210.0
Bowl 2 size: right to left	154.0
Bowl 2 size: front to back	321.0
Bowl 2: depth	115.0
Cutout inset: right to left	950.0
Cutout inset: front to back	480.0

### Installation

Minimum cabinet size	60 cm
----------------------	-------

### Product specifications

Installation type	Inset
Waste outlet	3 1/2"
Position of drainer	Reversible drainer

### Product Identification

Product brand	FRANKE
Product family	Smart
Model range	Antea
Approval logo	CE

## Features

Approval logo	UKCA
<b>Properties</b>	
Drainers number	1
Product reversibility	Yes
Tap ledge	No
Waste kit include	Yes
Waste kit type	Manual
Siphon included	No
Number of tap holes	2 - pre drilled
Soap dispenser hole	No