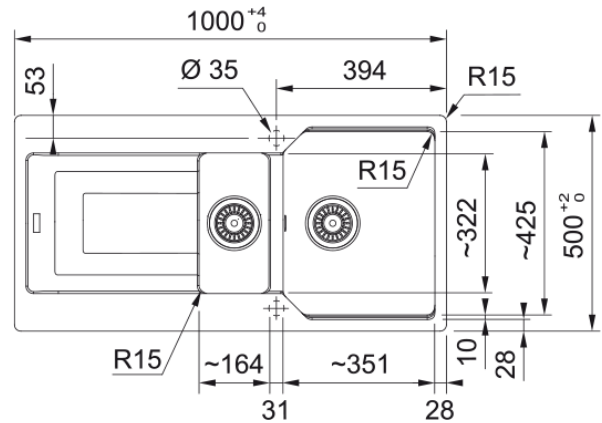
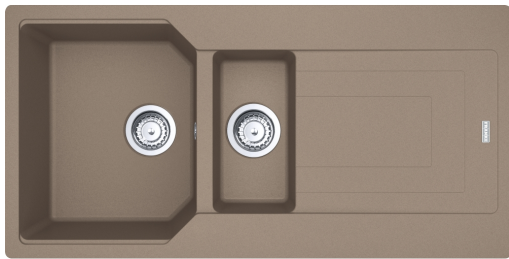


Urban UBG 651 Oyster | 114.0689.394



Technical Data

Product Information

Sink type	Sink (w/ drainer)
Type of material	Granite
Number of bowls	1,5
Color	Oyster
Finish	None

Dimensions

External size: right to left	1000.0
External size: front to back	500.0
Bowl 1 size: right to left	351.0
Bowl 1 size: front to back	425.0
Bowl 1: depth	220.0
Bowl 2 size: right to left	164.0
Bowl 2 size: front to back	322.0
Bowl 2: depth	139.0
Cutout inset: right to left	980.0
Cutout inset: front to back	480.0

Installation

Minimum cabinet size	60 cm
----------------------	-------

Product specifications

Installation type	Inset
Waste outlet	3 1/2"
Position of drainer	Reversible drainer

Product Identification

Product brand	FRANKE
Product family	Maris
Model range	Urban
Approval logo	CE

Approval logo	UKCA
Properties	
Drainers number	1
Product reversibility	Yes
Tap ledge	No
Waste kit include	Yes
Waste kit type	Manual
Siphon included	No
Number of tap holes	2 - pre drilled