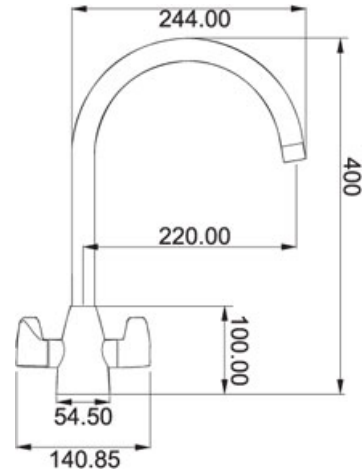


Davos Davos 'J' SilkSteel | 115.0049.940

FAMILY : Taps | SERIE : Davos | MODEL : Davos 'J' | FINISH : SilkSteel | INSTALLATION TYPE : Sink/Worktop



TECHNICAL DATA

Version	Bi-Flow Spout
Handle Width	141.00 mm
Height Overall	400.00 mm
Height to End of Spout	270.00 mm
Spout reach	220.00 mm
Hot Flow Rate at 0.3 bar	5 litres/min
Suitable for low pressure system	Yes
Type	Quarter Turn Ceramic Disc
Tap Operation	2 Handle mixer
Tap Pressure	Low Pressure