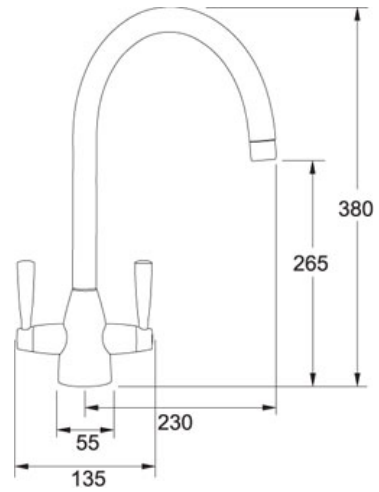


# Eiger Eiger SilkSteel | 115.0049.990

FAMILY : Taps | SERIE : Eiger | MODEL : Eiger | FINISH : SilkSteel | INSTALLATION TYPE : Sink/Worktop



## TECHNICAL DATA

Version	Bi-Flow Spout
Handle Width	135.00 mm
Height Overall	380.00 mm
Height to End of Spout	265.00 mm
Spout reach	230.00 mm
Hot Flow Rate at 0.3 bar	5 litres/min
Suitable for low pressure system	Yes
Tap Operation	2 Handle mixer
Type	Quarter Turn Ceramic Disc
Tap Pressure	Low Pressure