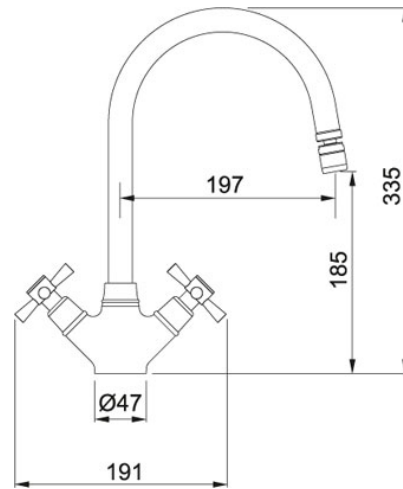


Rotaflow Rotaflow SilkSteel | 115.0251.258

FAMILY : Taps | SERIE : Rotaflow | FINISH : SilkSteel | INSTALLATION TYPE : Sink/Worktop | MODEL : Rotaflow



TECHNICAL DATA

Version	Bi-Flow Spout
Handle Width	191.00 mm
Height Overall	335.00 mm
Height to End of Spout	185.00 mm
Spout reach	197.00 mm
Hot Flow Rate at 0.3 bar	5 litres/min
Suitable for low pressure system	Yes