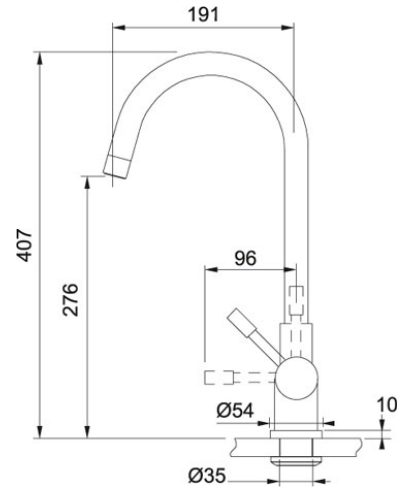


## Minerva Helix Stainless Steel | 119.0474.418

INSTALLATION TYPE : Sink/Worktop | INSTALLATION TYPE : Sink/Worktop | FAMILY : Instant boiling water taps | SERIE : 3-in-1 Tap | MODEL : Minerva Helix | SERIE : Minerva Helix | FINISH : Stainless Steel



The Minerva Helix 3-in-1 tap provides hot, cold and 100°C boiling water. Safety is assured with a two-step safety handle, while fully insulated spout and handle ensures that they both stay cool to the touch. Discreet and suitable for almost any kitchen, the horizontal heating tank sits neatly behind a standard 150mm cabinet plinth, freeing up much-needed cupboard space.

### IMPORTANT

Please be aware of your water pressure before purchase. If your water pressure is too low, the installation of a pump should be investigated. If your pressure is too high, the inclusion of a pressure reducing valve (not supplied) in the system will be necessary.

### TECHNICAL DATA

Version	Bi-Flow Spout
Handle Width	96.00 mm
Height Overall	407.00 mm
Height to End of Spout	276.00 mm
Spout reach	191.00 mm
Hot Flow Rate at 0.3 bar	2 litres/min
Suitable for low pressure system	No
Remarks	NB The Franke Minerva boiling water tap series requires a minimum of 1.5 bar pressure.
Tap Pressure	Low Pressure

# Minerva Helix Stainless Steel | 119.0474.418

INSTALLATION TYPE : **Sink/Worktop** | INSTALLATION TYPE : **Sink/Worktop** | FAMILY : **Instant boiling water taps** | SERIE : **3-in-1 Tap** | MODEL : **Minerva Helix** | SERIE : **Minerva Helix** | FINISH : **Stainless Steel**

---

## SUGGESTED PRODUCTS

---



---

119.0273.102

---



---

119.0281.578

---



---

119.0281.579

---



---

119.0380.520

---