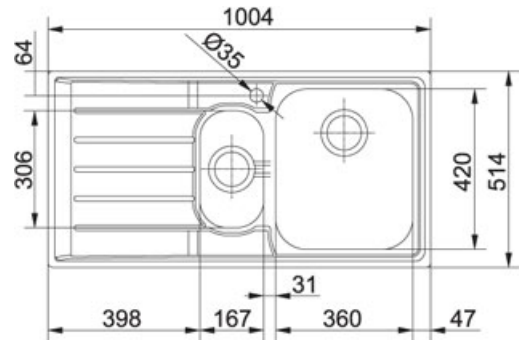


## Neptune filotop NEX 251 Stainless Steel | 127.0059.717

FAMILY : Sinks | SERIE : Neptune filotop | MODEL : NEX 251 | FINISH : Stainless Steel | INSTALLATION TYPE : Slim-Top | PRODUCT LINE : Neptune



### TECHNICAL DATA

Cabinet Size	600.00 mm
Length Overall	1,004.00 mm
Width Overall	514.00 mm
Length of large bowl	360.00 mm
Width of large bowl	420.00 mm
Depth of large bowl	200.00 mm
Length of small bowl	167.00 mm
Width of small bowl	306.00 mm
Depth of small bowl	150.00 mm
Cutout Length	995.00 mm
Cutout Width	506.00 mm
Cut-Out Template	No
Position of small bowl	Center
Cutout radius	R: 20 mm
Cabinet Size	600 mm (800 mm if next to the wall)
Opposite Configuration	127.0059.658

### FEATURES

Edge profile flushmount	Edge profile slimtop
-------------------------	----------------------

# Neptune filotop NEX 251 Stainless Steel | 127.0059.717

FAMILY : **Sinks** | SERIE : **Neptune filotop** | MODEL : **NEX 251** | FINISH : **Stainless Steel** | INSTALLATION TYPE : **Slim-Top** |  
PRODUCT LINE : **Neptune**

---

## SUGGESTED PRODUCTS

---



---

115.0051.172

---



---

115.0061.579

---



---

112.0052.536

---



---

133.0026.896

---



---

134.0276.834

---