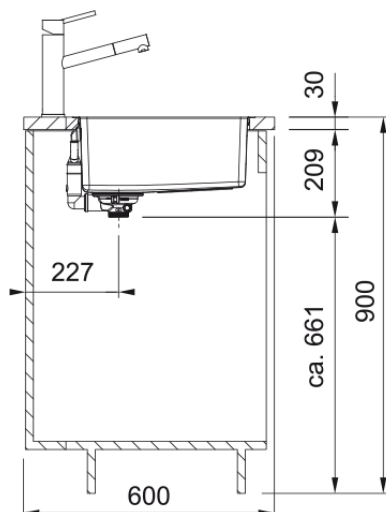


MARIS BOWL MRX 260 34-19 LHSB | 127.0553.963



Technical Data

Product Information

Sink type	Bowl (no drainer)
Type of material	Stainless steel
Number of bowls	1,5
Color	Steel
Finish	Stainless steel brushed

Dimensions

External size: right to left	591.0
External size: front to back	436.0
Bowl 1 size: right to left	340.0
Bowl 1 size: front to back	400.0
Bowl 1: depth	180.0
Bowl 2 size: right to left	190.0
Bowl 2 size: front to back	400.0
Bowl 2: depth	130.0

Installation

Minimum cabinet size	60 cm
----------------------	-------

Product specifications

Installation type	Flushmount
Waste outlet	3 1/2"
Position of drainer	No drainer

Product Identification

Product brand	FRANKE
Product family	Maris
Model range	Maris
Approval logo	CE
Approval logo	UKCA

Properties

Features

Drainers number	No drainer
Product reversibility	No
Tap ledge	No
Waste kit include	Yes
Waste kit type	Manual
Siphon included	No
Number of tap holes	No tap hole
Soap dispenser hole	No