

ShowerTablet

Thermostatic shower mixer 350 for exposed installation

Surfaces: **chrome** Art. no. : **13102000**



Description

product features

- designed to run 1 outlet
- volume control for 1 outlet
- exposed design allows easy installation, all working parts are outside of the wall
- Centre distance: 150 mm ± 12 mm
- Ecostop button limits the water consumption to 10 l/min
- flow rate hand shower connection 15 l/min at 3 bar
- thermostat cartridge, shut-off/ diverter valve
- safety stop at 40°C
- Maximum temperature can be adjusted on installation
- with isolated water conduction
- Non-return valve
- Material handles: metal
- Shelf colour: anodised aluminium
- Cover material: safety glass
- surface of the cover at colour variant -000 = mirror glass, at colour variant -400 = white glass
- dirt filter included
- operating pressure: min 1 bar / max 10 bar
- WRAS 1906013

Article Details

Price excl. VAT

£ 358.33

Technology



Design awards



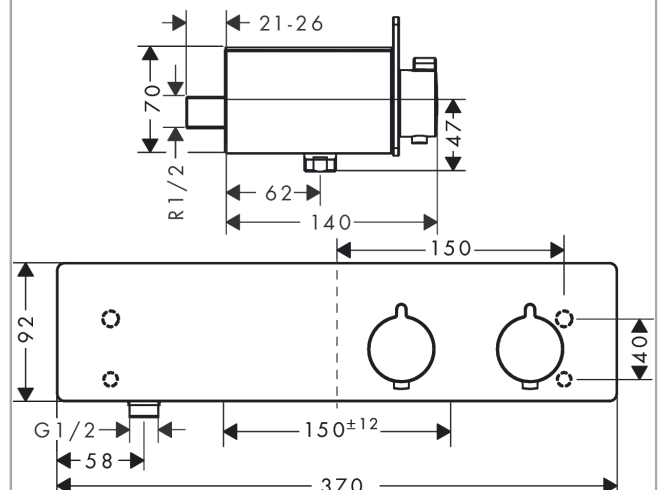
Certificates



Product image



Scale drawing



ShowerTablet
Thermostatic shower mixer 350 for exposed installation
 Surfaces: **chrome** Art. no. : **13102000**



Flowchart

