

Ecostat

Thermostatic bath mixer Comfort for exposed installation

Surfaces: **chrome** Art. no. : **13114000**



Description

product features

- spout 177 mm long
- designed to run 2 outlets
- exposed design allows easy installation, all working parts are outside of the wall
- Centre distance: 150 mm ± 12 mm
- Flow rate for bath spout (at 3 bar): 20 l/min
- Flow rate of hand shower (at 3 bar): 15 l/min
- thermostat cartridge, shut-off/ diverter valve
- Min. operating pressure: 1 bar
- Max. operating pressure: 10 bar
- safety stop at 40°C
- Maximum temperature can be adjusted on installation
- Non-return valve
- with silencer
- Material handles: metal
- dirt filter included
- WRAS 1805046
- WRAS 1805046

Article Details

Price excl. VAT

£ 262.50

Technology



Certificates

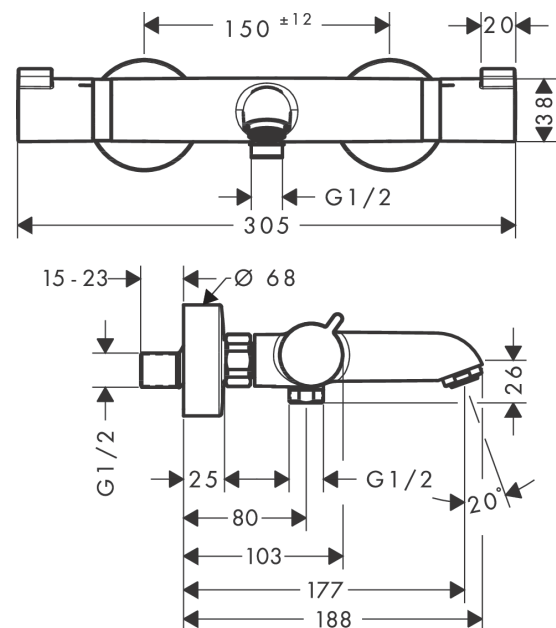


kiwa

Product image



Scale drawing



Ecostat

Thermostatic bath mixer Comfort for exposed installation

Surfaces: **chrome** Art. no. : **13114000**



Flowchart

