

**ShowerTablet Select**  
**Thermostatic bath mixer 300 for exposed installation**  
 Surfaces: **chrome** Art. no. : **13151000**



### Description

**product features**

- spout 192 mm long
- designed to run 2 outlets
- simultaneous utilisation by 2 outlets
- exposed design allows easy installation, all working parts are outside of the wall
- Centre distance: 150 mm ± 12 mm
- Flow rate for bath spout (at 3 bar): 20 l/min
- Flow rate of hand shower (at 3 bar): 16 l/min
- thermostat cartridge, start/ stop cartridge
- Min. operating pressure: 1 bar
- Max. operating pressure: 10 bar
- safety stop at 40°C
- Maximum temperature can be adjusted on installation
- with isolated water conduction
- Non-return valve
- with silencer
- Material handles: metal
- made of safety glass
- surface of the shelf at colour variant -000 = mirror glass, at colour variant -400 = white glass
- in case of installation on existing G 3/4 connections, adaptor no. 02026000 must be used
- dirt filter included
- if running with a pump, please specify a universal (negative head) pump
- cannot be connected with a standard fixing plate
- winner of the iF product design award 2014

### Article Details

Price excl. VAT £ 562.50

### Technology



### Design awards



Focus Open 2013  
Silver

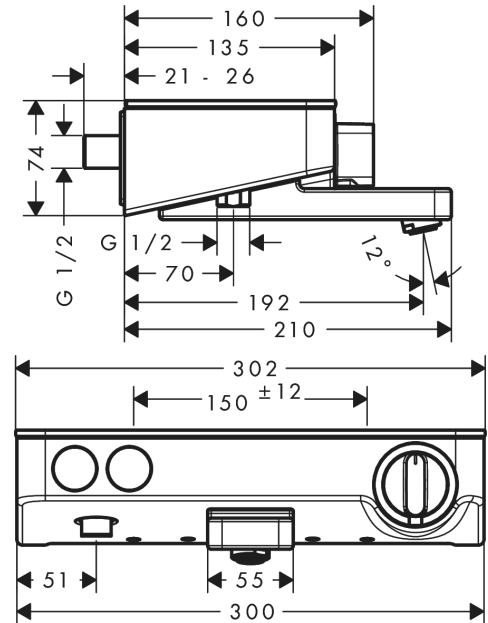
**ShowerTablet Select**  
**Thermostatic bath mixer 300 for exposed installation**  
 Surfaces: **chrome** Art. no. : **13151000**



**Product image**



**Scale drawing**



**Flowchart**

