

**Ecostat Select**  
**Thermostatic shower mixer for exposed installation**  
 Surfaces: **chrome** Art. no. : **13161000**



### Description

**product features**

- designed to run 1 outlet
- exposed design allows easy installation, all working parts are outside of the wall
- Centre distance: 150 mm ± 12 mm
- Ecostop button limits the water consumption to 10 l/min
- flow rate hand shower connection 12 l/min at 3 bar
- thermostat cartridge, ceramic valve 180°
- Min. operating pressure: 1 bar
- Max. operating pressure: 10 bar
- safety stop at 40°C
- Maximum temperature can be adjusted on installation
- with isolated water conduction
- Non-return valve
- made of safety glass
- in case of installation on existing G 3/4 connections, adaptor no. 02026000 must be used
- surface of the shelf at colour variant -000 = mirror glass, at colour variant -400 = white glass
- Noise class: I
- dirt filter included
- cannot be connected with a standard fixing plate
- WRAS 1805017
- WRAS 1805017

### Article Details

Price excl. VAT £ 341.67

### Technology



### Certificates



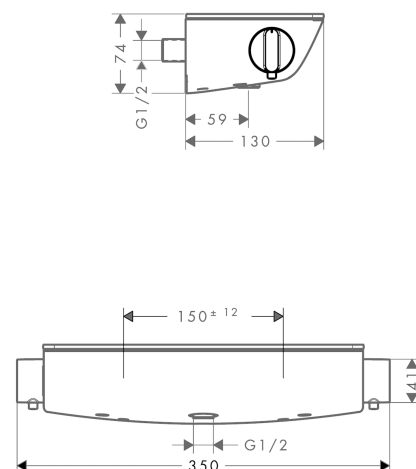
**kiwa**



### Product image



### Scale drawing



**Ecostat Select**  
**Thermostatic shower mixer for exposed installation**  
 Surfaces: **chrome** Art. no. : **13161000**



**Flowchart**

