

ShowerTablet Select

Thermostatic shower mixer 300 for exposed installation

Surfaces: **white/chrome** Art. no. : **13171400**



Description

product features

- designed to run 1 outlet
- exposed design allows easy installation, all working parts are outside of the wall
- Centre distance: 150 mm ± 12 mm
- flow rate hand shower connection 14 l/min at 3 bar
- thermostat cartridge, start/ stop cartridge
- Min. operating pressure: 1 bar
- Max. operating pressure: 10 bar
- safety stop at 40°C
- Maximum temperature can be adjusted on installation
- with isolated water conduction
- Non-return valve
- Material handles: metal
- made of safety glass
- surface of the shelf at colour variant -000 = mirror glass, at colour variant -400 = white glass
- in case of installation on existing G ¾ connections, adaptor no. 02026000 must be used
- Noise class: I
- dirt filter included
- if running with a pump, please specify a universal (negative head) pump
- cannot be connected with a standard fixing plate
- WRAS 1405340

Article Details

Price excl. VAT

£ 433.33

Technology



Design awards



Focus Open 2013
Silver

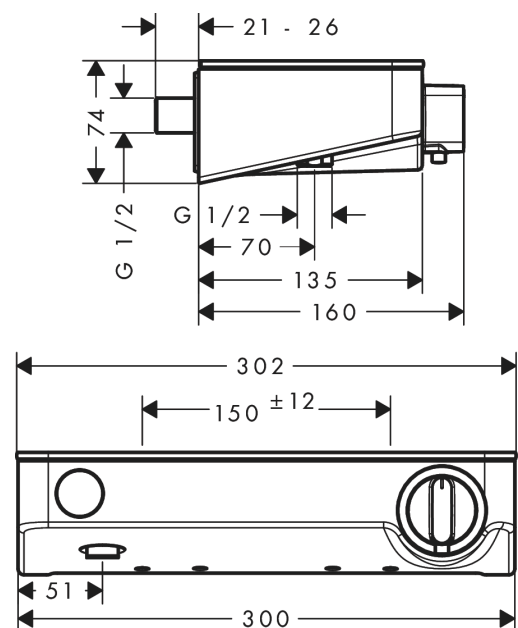
Certificates



Product image



Scale drawing



ShowerTablet Select
Thermostatic shower mixer 300 for exposed installation
 Surfaces: **white/chrome** Art. no. : **13171400**



Flowchart

