

Ecostat E
Thermostatic mixer HighFlow for concealed installation
 Surfaces: **chrome** Art. no. : **15706000**



Description

product features

- wall-mounted
- Flow rate (at 3 bar): 59 l/min
- thermostat cartridge
- safety stop at 40°C
- Maximum temperature can be adjusted on installation
- operating pressure: min 1 bar / max 10 bar
- requires separate shut-off valve
- WRAS 1801028
- WRAS 1801028

Article Details

Price excl. VAT £ 362.50

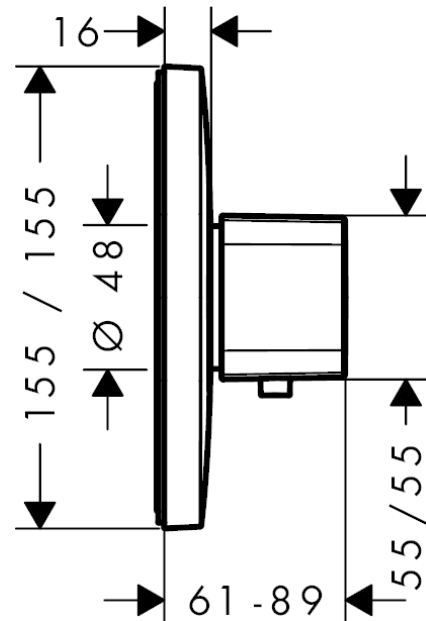
Certificates



Product image



Scale drawing



Flowchart

