

## Rainmaker Select

### Overhead shower 460 2jet with shower arm

Surfaces: **white/chrome** Art. no. : **24005400**



#### Description

##### product features

- Shower head size: 466 x 300 mm
- Shower arm length: 461 mm
- Spray pattern: Rain, RainStream
- flow rate Rain 18 l/min at 3 bar
- flow rate RainStream 15 l/min at 3 bar
- Operating pressure: min. 1.5 bar/max. 6 bar
- the 2 spray zones must be controlled via 2 valves or a diverter valve with 2 outlets
- easy cleanable glass spray disc
- Spray face: made of safety glass
- spray disc removable for cleaning
- overhead shower removable for cleaning
- Installation: wall-mounted - for installation on iBox

#### Article Details

Price excl. VAT

£ 1,966.67

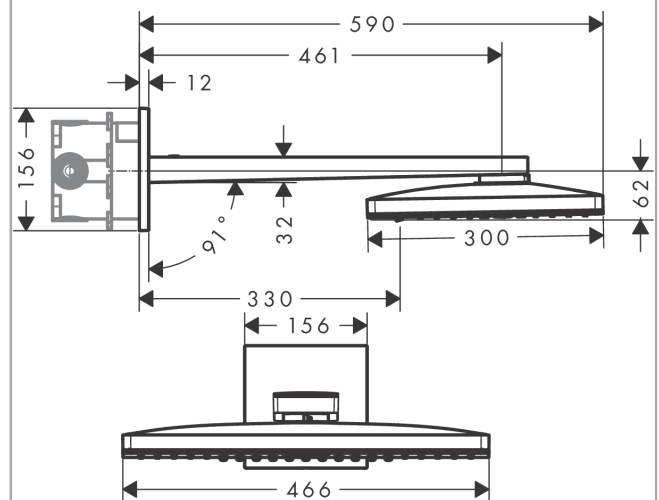
#### Technology



#### Product image



#### Scale drawing



#### Flowchart



- ① Rain
- ② RainStream

The consumption was measured in combination with the appropriate fittings (thermostat/mixer/in-wall valve) to reflect actual application in practice.

**Rainmaker Select**  
**Overhead shower 460 2jet with shower arm**  
 Surfaces: **white/chrome** Art. no. : **24005400**



Installation examples

