

Rainmaker Select

Overhead shower 460 1jet EcoSmart 9 l/min with shower arm

Surfaces: **white/chrome** Art. no. : **24013400**



Description

product features

- Shower head size: 460 x 270 mm
- Shower arm length: 462 mm
- Spray pattern: Rain
- maximum flow rate 9 l/min at 3 bar
- flow rate Rain 9 l/min at 3 bar
- Operating pressure: min. 1.5 bar/max. 6 bar
- easy cleanable glass spray disc
- Spray face: made of safety glass
- spray disc removable for cleaning
- overhead shower removable for cleaning
- Installation: wall
- Connection thread 1/2"

Article Details

Price excl. VAT

£ 1,541.67

Technology



Design awards

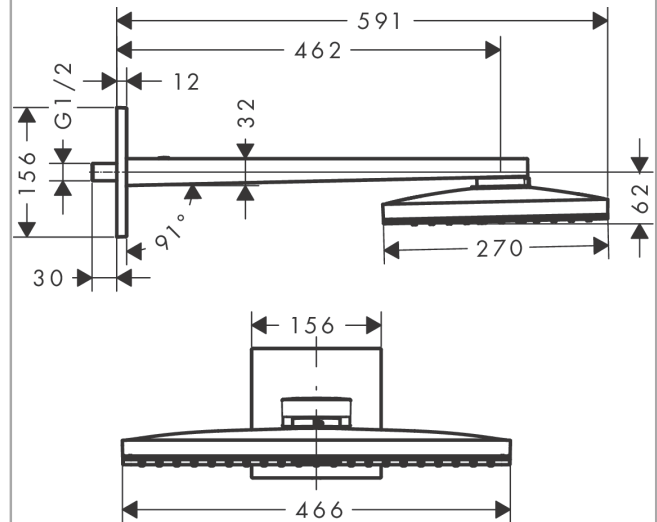


reddot award 2015
winner

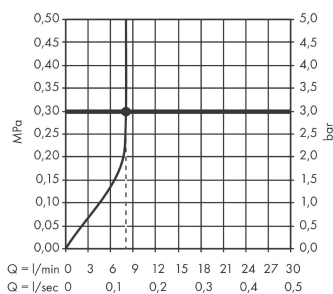
Product image



Scale drawing



Flowchart



The consumption was measured in combination with the appropriate fittings (thermostat/mixer/in-wall valve) to reflect actual application in practice.