

Crometta
Hand shower 100 1jet EcoSmart 9 l/min
 Surfaces: **white/chrome** Art. no. : **26333400**



Description

product features

- Shower head size: 100 mm
- Spray pattern: Rain
- Flow rate (at 3 bar): 9 l/min
- with internal water conduction
- rinseable dirt filter
- Connection thread 1/2"
- minimum operating pressure 0.5 bar
- winner of the iF product design award 2016
- WRAS 1901002
- WRAS 1901002

Article Details

Price excl. VAT £ 15.83

Technology



Design awards



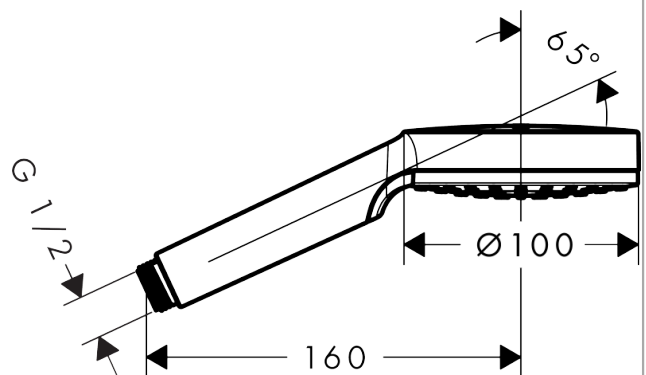
Certificates



Product image



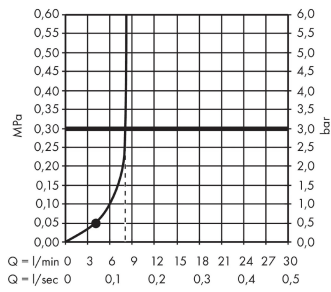
Scale drawing



Crometta
Hand shower 100 1jet EcoSmart 9 l/min
 Surfaces: **white/chrome** Art. no. : **26333400**



Flowchart



The consumption was measured in combination with the appropriate fittings (thermostat/mixer/in-wall valve) to reflect actual application in practice.