

**Croma Select S**  
**Overhead shower 180 2jet EcoSmart 9 l/min**  
 Surfaces: **chrome** Art. no. : **26523000**



## Description

### product features

- Shower head size: 180 mm
- Spray pattern: Rain, IntenseRain
- maximum flow rate 9 l/min at 3 bar
- flow rate Rain 9 l/min at 3 bar
- flow rate IntenseRain 9 l/min at 3 bar
- Select button on overhead shower
- spray face surface in two variants: chrome or white
- Spray face: plastic
- Installation: ceiling or wall
- Connection thread 1/2"
- winner of the iF product design award 2016
- WRAS 1510335
- KIWA UK 1511700

## Article Details

Price excl. VAT

£ 241.67

## Technology



## Design awards



## Certificates

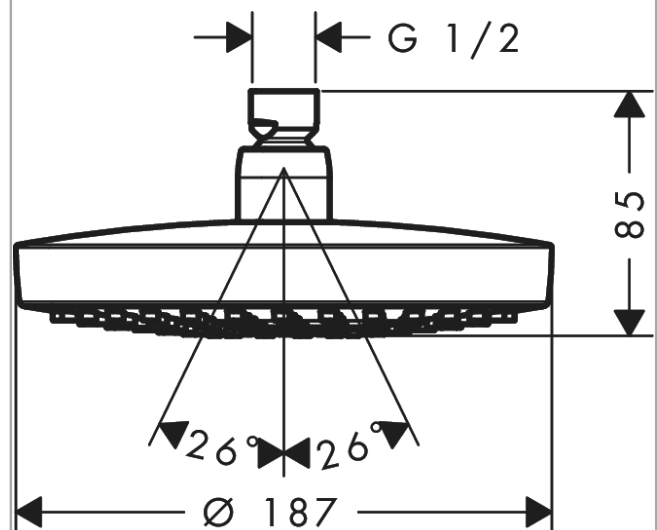


**kiwa**

## Product image



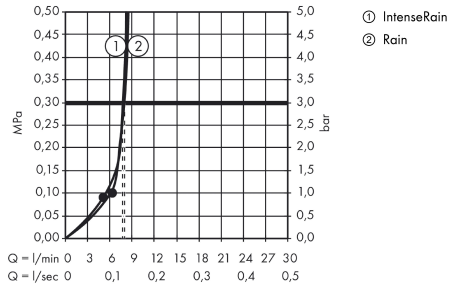
## Scale drawing



**Croma Select S**  
**Overhead shower 180 2jet EcoSmart 9 l/min**  
 Surfaces: **chrome** Art. no. : **26523000**



**Flowchart**



The consumption was measured in combination with the appropriate fittings (thermostat/mixer/in-wall valve) to reflect actual application in practice.