

Raindance Select S

Shower system 150 with Ecostat Select thermostatic mixer and shower rail 90 cm

Surfaces: **chrome** Art. no. : **27037000**



Description

product features

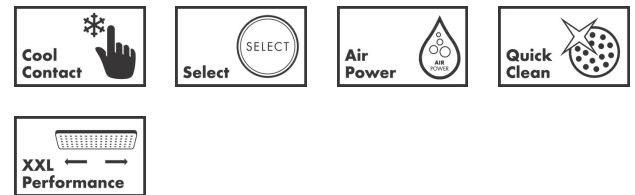
- Consists of: hand shower, thermostatic shower mixer, shower bar, slider, soap dish, shower hose
- Spray pattern: RainAir, CaresseAir, Mix
- Select button to comfortably switch between spray modes
- pivot connector prevent hose from tangling
- 90° position adjustable slider, pivots left and right, up and down
- Maximum flow rate (at 3 bar): 16 l/min
- cannot be connected with a standard fixing plate
- in case of installation on existing G 3/4 connections, adaptor no. 02026000 must be used
- Operating pressure: min. 1.5 bar/max. 6 bar

Article Details

Price excl. VAT

£ 495.00

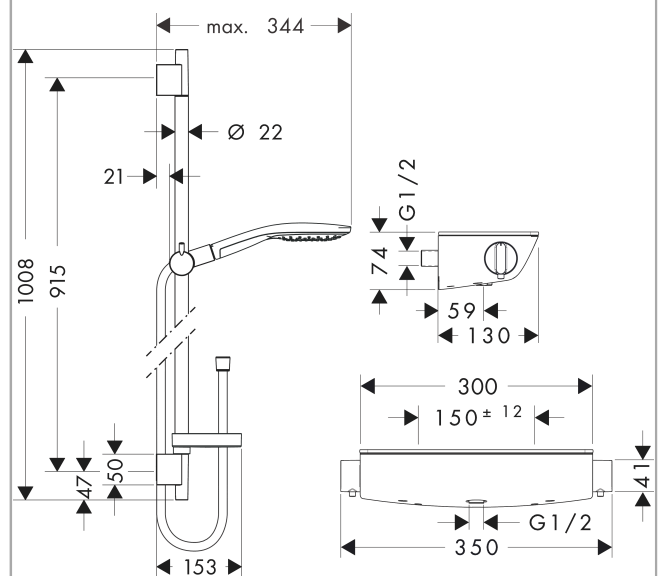
Technology



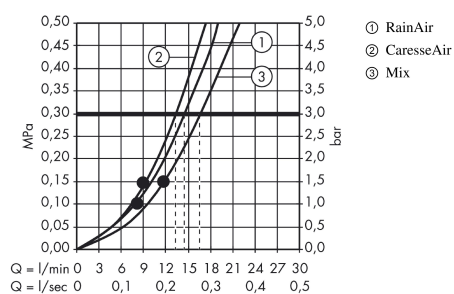
Product image



Scale drawing



Flowchart



The consumption was measured in combination with the appropriate fittings (thermostat/mixer/ in-wall valve) to reflect actual application in practice.

Raindance Select S

Shower system 150 with Ecostat Select thermostatic mixer and shower rail 90 cm

Surfaces: **chrome** Art. no. : **27037000**



Installation examples

