

**Raindance Select E**  
**Showerpipe 300 3jet with ShowerTablet Select 300**  
 Surfaces: **white/chrome** Art. no. : **27127400**



## Description

### product features

- Consists of: overhead shower, hand shower, Thermostatic shower mixer, shower hose, shower holder
- overhead shower Raindance Select E 300 3jet
- Shower head size: 300 x 190 mm
- Shower arm length: 380 mm
- Shelf: made of safety glass
- surface of the shelf at colour variant -000 = mirror glass, at colour variant -400 = white glass
- Spray pattern: RainAir, Rain, RainStream
- Select button to comfortably switch between spray modes
- spray face surface in two variants: chrome or white
- Maximum flow rate (at 3 bar): 19 l/min
- flow rate RainAir 16 l/min at 3 bar
- flow rate Rain 16 l/min at 3 bar
- flow rate RainStream 19 l/min at 3 bar
- Operating pressure: min. 2 bar/max. 10 bar
- thermostat ShowerTablet Select 300
- isolated water conduction
- safety stop at 40°C
- adjustable hot water limitation
- Select button to comfortably switch between spray modes
- exposed design allows easy installation, all working parts are outside of the wall
- Connection dimension 1/2"
- Connection thread 1/2"
- Centre distance 150 mm ± 12 mm
- in case of installation on existing G 3/4 connections, adaptor no. 02026000 must be used
- if running with a pump, please specify a universal (negative head) pump
- winner of the iF product design award 2015
- WRAS 1512033

## Article Details

Price excl. VAT

£ 1,766.67

## Technology



## Design awards



## Certificates



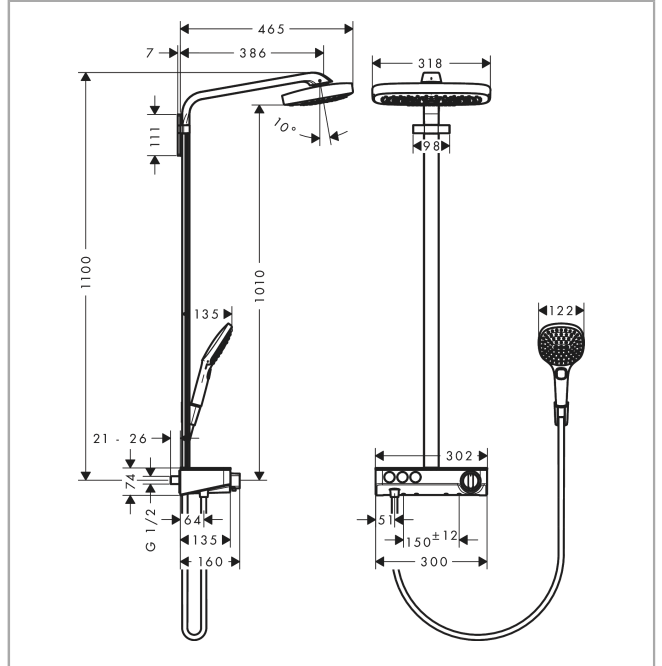
**Raindance Select E**  
**Showerpipe 300 3jet with ShowerTablet Select 300**  
 Surfaces: **white/chrome** Art. no. : **27127400**



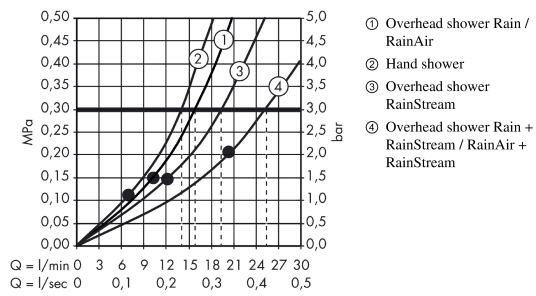
**Product image**



**Scale drawing**



**Flowchart**



**Raindance Select E**  
**Showerpipe 300 3jet with ShowerTablet Select 300**  
 Surfaces: **white/chrome** Art. no. : **27127400**



Installation examples

