

Focus

Single lever basin mixer 100 LowFlow 3.5 l/min with pop-up waste

Surfaces: **chrome** Art. no. : **31603000**



Description

product features

- Consists of: single lever basin mixer, waste set
- ComfortZone 100 provides space for greater freedom of movement
- free-standing installation
- spout 119 mm long
- normal spray
- Flow rate (at 3 bar): 3.5 l/min
- Min. operating pressure: 1 bar
- Max. operating pressure: 10 bar
- ceramic cartridge
- pop-up waste set 1¼"
- Material waste set: metal
- QuickClean technology for easy limescale removal
- enhanced capital allowance version
- please specify when ordering if required for low pressure
- WRAS 1710017
- WRAS 1710017
- WRAS 1710017

Article Details

Price excl. VAT

£ 145.00

Technology



Design awards



reddot design award

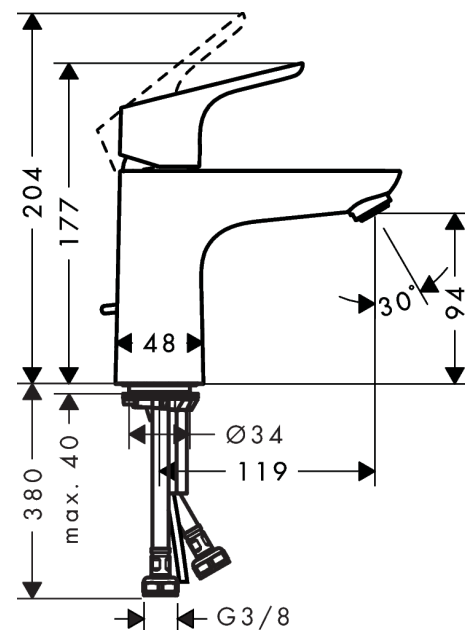
Certificates



Product image



Scale drawing



Focus

Single lever basin mixer 100 LowFlow 3.5 l/min with pop-up waste

Surfaces: **chrome** Art. no. : **31603000**



Flowchart

