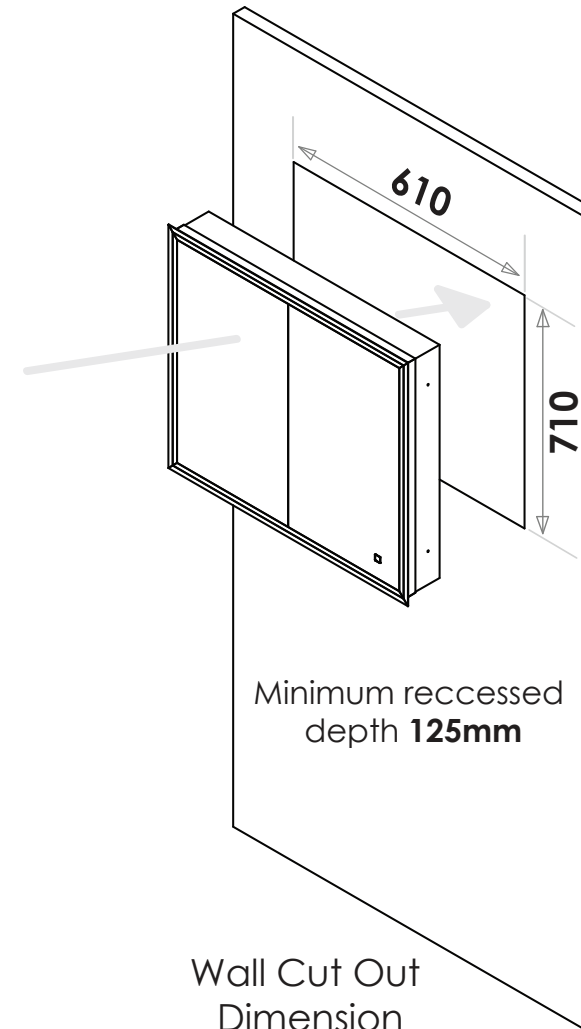


External Cabinet
Dimensions



Wall Cut Out
Dimension

HiB strongly recommend that the wall cut out is not started until the product is physically with the installer to ensure accuracy of dimensions.

Contact Information

T: +44 (0)20 8441 0352 F: +44 (0)20 8441 0219 E: sales@hib.co.uk hib.co.uk

Building 3, North London Business Park, Oakleigh Road South, New Southgate, London. N11 1GN

©HiB Copyright: No part of this document may be reprinted or duplicated without HiB consent.

All sizes and measurements are approximate, but we do try and make sure they are as accurate as possible.

In the interest of continuous product development, HiB reserves the right to alter specifications as necessary. E & OE.

Electrical Safety Information

HiB recommends that all electrical bathroom products should only be fitted by a suitably qualified, Part P registered electrician in accordance with current IEE regulations.

Ensure mains power supply is switched off before starting installation.

Before drilling, ensure there are no hidden cables or pipes in the wall.