

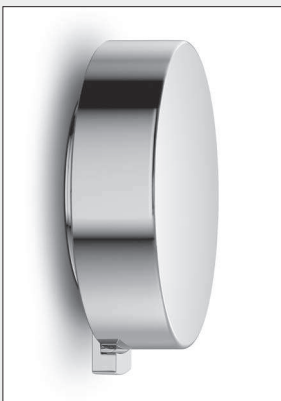
# WATER INLET AND WASTE SYSTEMS

## COMFORT-LEVEL/COMFORT-LEVEL PLUS

- modern design of understated elegance with an extra flat overflow knob and reduced radii
- visible parts in chrome
- unique regulation of the water level using a separate lever, which allows the water depth to be increased continuously by up to 50 mm for even more comfortable bathing
- COMFORT LEVEL PLUS: with practical filling function, invisibly integrated in the overflow
- suitable for KALDEWEI bathtubs and Turbo whirl systems only



Front view

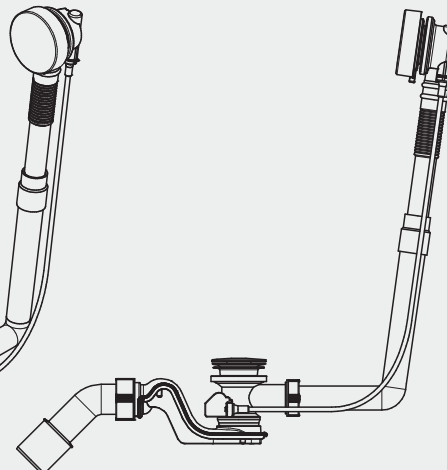
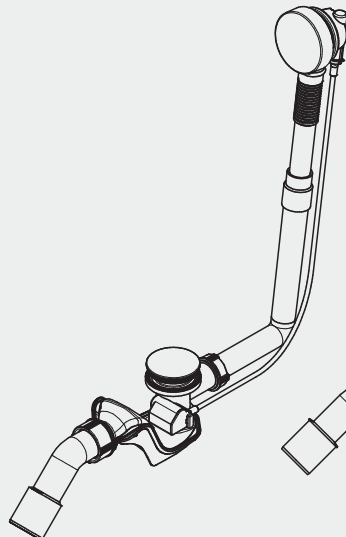


COMFORT-LEVEL

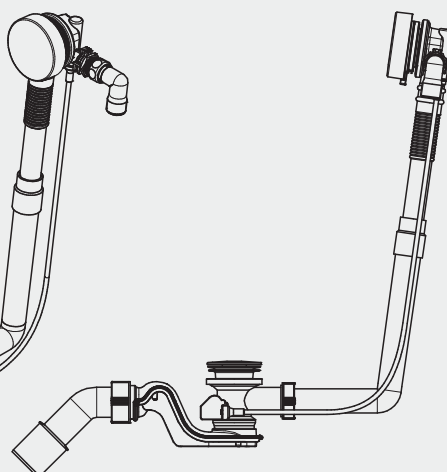
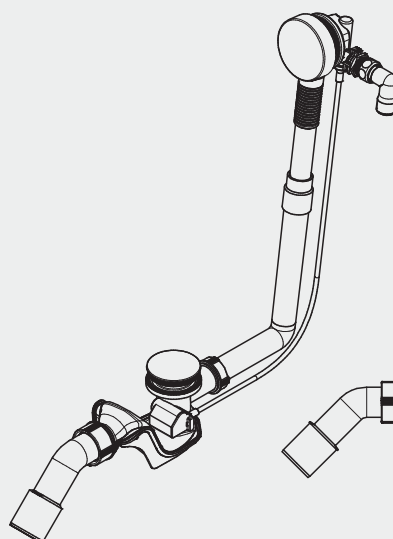


COMFORT-LEVEL PLUS

COMFORT-LEVEL  
Mod. KA 4001, KA 4002, KA 4003



COMFORT-LEVEL PLUS  
Mod. KA 4011, KA 4012, KA 4013



## WATER INLET AND WASTE SYSTEMS

## COMFORT-LEVEL / COMFORT-LEVEL PLUS

COMFORT-LEVEL Waste and overflow fitting	Model Order no.	chrome	£
Standard	<b>KA 4001</b> 687772330999		● 160,00
Extended	<b>KA 4002</b> 687772340999		● 188,50
Special	<b>KA 4003</b> 687772500999		● 213,00
	Model Order no.	chrome	£
for BASSINO	<b>KA 4005</b> 687772600999		● 213,00
<b>COMFORT-LEVEL PLUS</b> Waste and overflow fitting with integrated filling function	Model Order no.	chrome	£
Standard*	<b>KA 4011</b> 687772370999		● 394,00
Extended*	<b>KA 4012**</b> 687772380999		● 446,00
Special*	<b>KA 4013</b> 687772390999		● 474,00
	Model Order no.	chrome	£
for BASSINO*	<b>KA 4015</b> 687772400999		● 474,00

\*The COMFORT-LEVEL PLUS requires a non return valve. This is not included.

Designs KA 4001 and KA 4011 (standard) can be used with CAYONO/CAYONO STAR, DYNA SET/DYNA SET STAR, PURO/PURO STAR, SANILUX/SANILUX STAR, SANIFORM range (except models 366/344, 367/345).

Designs KA 4002 and KA 4012 (extended) can be used with MEISTERSTÜCK CLASSIC DUO OVAL, CAYONO DUO, CLASSIC DUO, DUO POOL, MINI/MINI STAR, PURO with side overflow/PURO STAR with side overflow, PURO DUO, PURO SET WIDE, SANIFORM PLUS (models 366/344, 367/345), SILENIO, STUDIO/STUDIO STAR, VAIO range\*\*, TWIN POOL and the MEGA DUO, NOVOLA\*\* and RONDO ranges.

\*\* Design KA 4012 cannot be used with NOVOLA DUO models with grips and the VAIO range.

Designs KA 4003 and KA 4013 (special) can be used with PLAZA DUO, PUNTA DUO 3.

\* Available from October 2017.

## SEALING KIT FLEX

- Simple and safe – the one-stop sealing solution
- The sealing kit FLEX is the universal solution for bathtubs and showers that are not being installed at floor level.
- Easy to apply, with corner pieces that conform precisely to the geometry of the KALDEWEI shower surfaces
- The pre-assembled sealing elements allow for wall-side sealing in corners and niches
- Systematic sealing with carefully selected components based on chemical formulations used in the construction industry

Sealing kit FLEX	Order no.	Dimensions m	£
1 x sealing tape WDB 5,0 m 2 x wall corner piecen 1 x installation instructions	689720520000	5,0 m	● 43,00

