

**Vernis Shape**  
**Single lever bath mixer for exposed installation**  
 Finish: **Chrome** Art. no. : **71450000**



### Description

**product features**

- designed to run 2 outlets
- spout 166 mm long
- Centre distance: 150 mm ± 12 mm
- Spray type mixer: normal spray
- Maximum flow rate (at 3 bar): 22.5 l/min
- Flow rate for bath spout (at 3 bar): 22.5 l/min
- Flow rate of hand shower (at 3 bar): 15.7 l/min
- ceramic cartridge
- Maximum temperature can be adjusted on installation
- diverter with automatic resetting
- with silencer
- Noise class: II
- Connection type: S connections
- wall-mounted
- Min. operating pressure: 1 bar
- Max. operating pressure: 10 bar

### Article Details

Price excl. VAT

£ 132.50

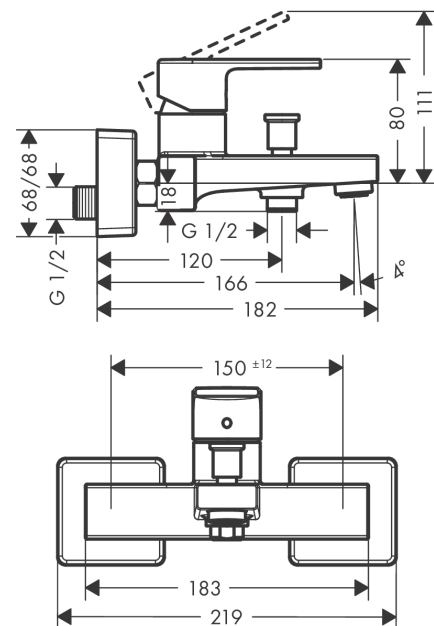
### Technology



### Product image



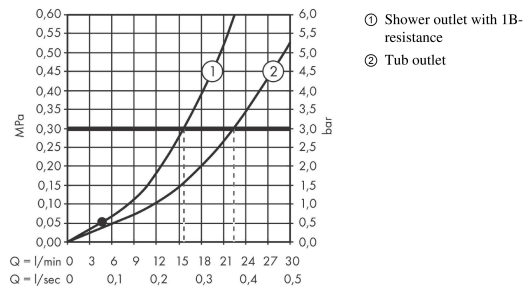
### Scale drawing



**Vernis Shape**  
**Single lever bath mixer for exposed installation**  
 Finish: **Chrome** Art. no. : **71450000**



**Flowchart**

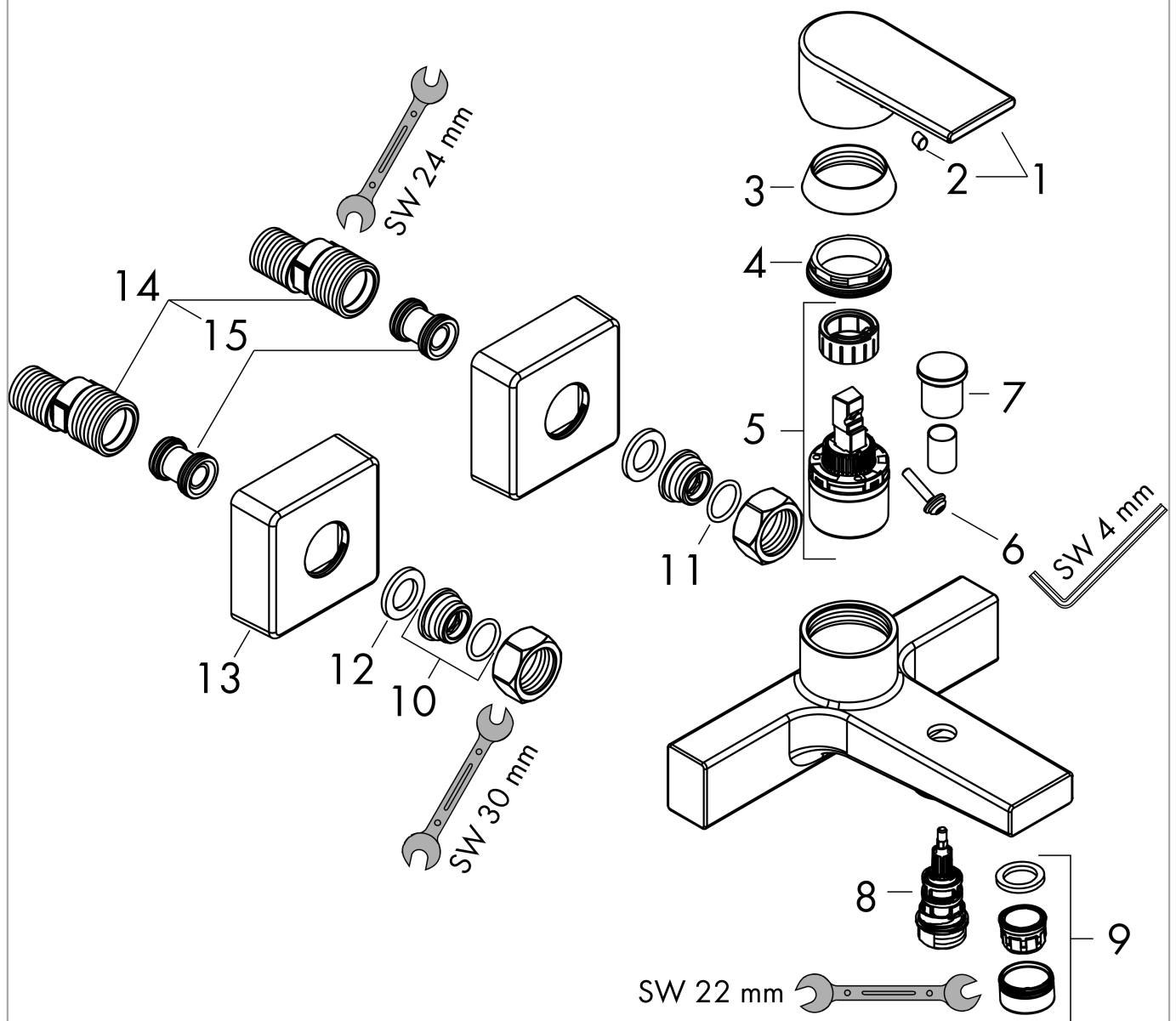


**Vernis Shape**  
**Single lever bath mixer for exposed installation**  
 Finish: **Chrome** Art. no. : **71450000**



**Exploded Drawing**

Year of production: >04/21



**Vernis Shape**  
**Single lever bath mixer for exposed installation**  
 Finish: **Chrome** Art. no. : **71450000**



### Spare part list

Year of production: >04/21

Pos.	Description	Art. no.	Price	PU
1	handle	93719000	-	1
2	screw cover	96338000	-	1
3	flange	93716000	-	1
4	nut	93717000	-	1
5	cartridge, assy	92730000	-	1
6	locking screw for handle	95140000	-	1
7	diverter knob	93766000	-	1
8	selector	97978000	-	1
9	aerator M24x1 (38 l/min)	92513000	-	1
10	connecting thread G½	93767000	-	1
11	O-ring 16x2	98133000	-	1
12	filter packing	96922000	-	1
13	escutcheon	93879000	-	1
14	set of S-unions (±12 mm)	94140000	-	1
15	noise reduction	96429000	-	1