

Vernis Shape
Single lever bath mixer for exposed installation
 Finish: **Matt Black** Art. no. : **71450670**



Description

product features

- designed to run 2 outlets
- spout 166 mm long
- Centre distance: 150 mm ± 12 mm
- Spray type mixer: normal spray
- Maximum flow rate (at 3 bar): 22.5 l/min
- Flow rate for bath spout (at 3 bar): 22.5 l/min
- Flow rate of hand shower (at 3 bar): 15.7 l/min
- ceramic cartridge
- Maximum temperature can be adjusted on installation
- diverter with automatic resetting
- with silencer
- Noise class: II
- Connection type: S connections
- wall-mounted
- Min. operating pressure: 1 bar
- Max. operating pressure: 10 bar

Article Details

Price excl. VAT

£ 185.50

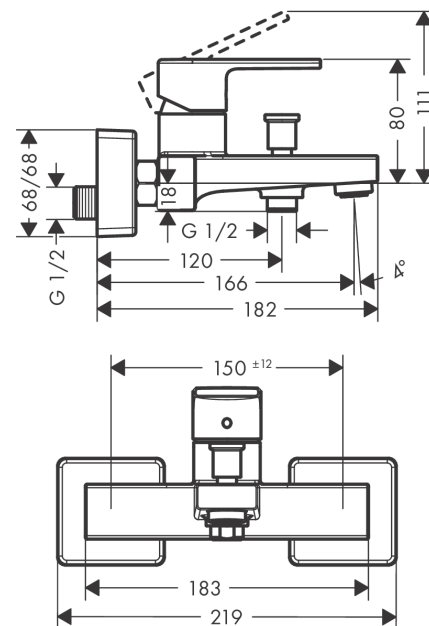
Technology



Product image



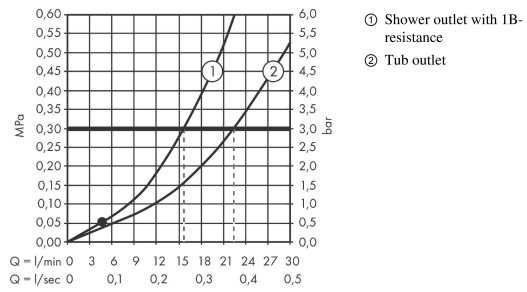
Scale drawing



Vernis Shape
Single lever bath mixer for exposed installation
 Finish: **Matt Black** Art. no. : **71450670**



Flowchart

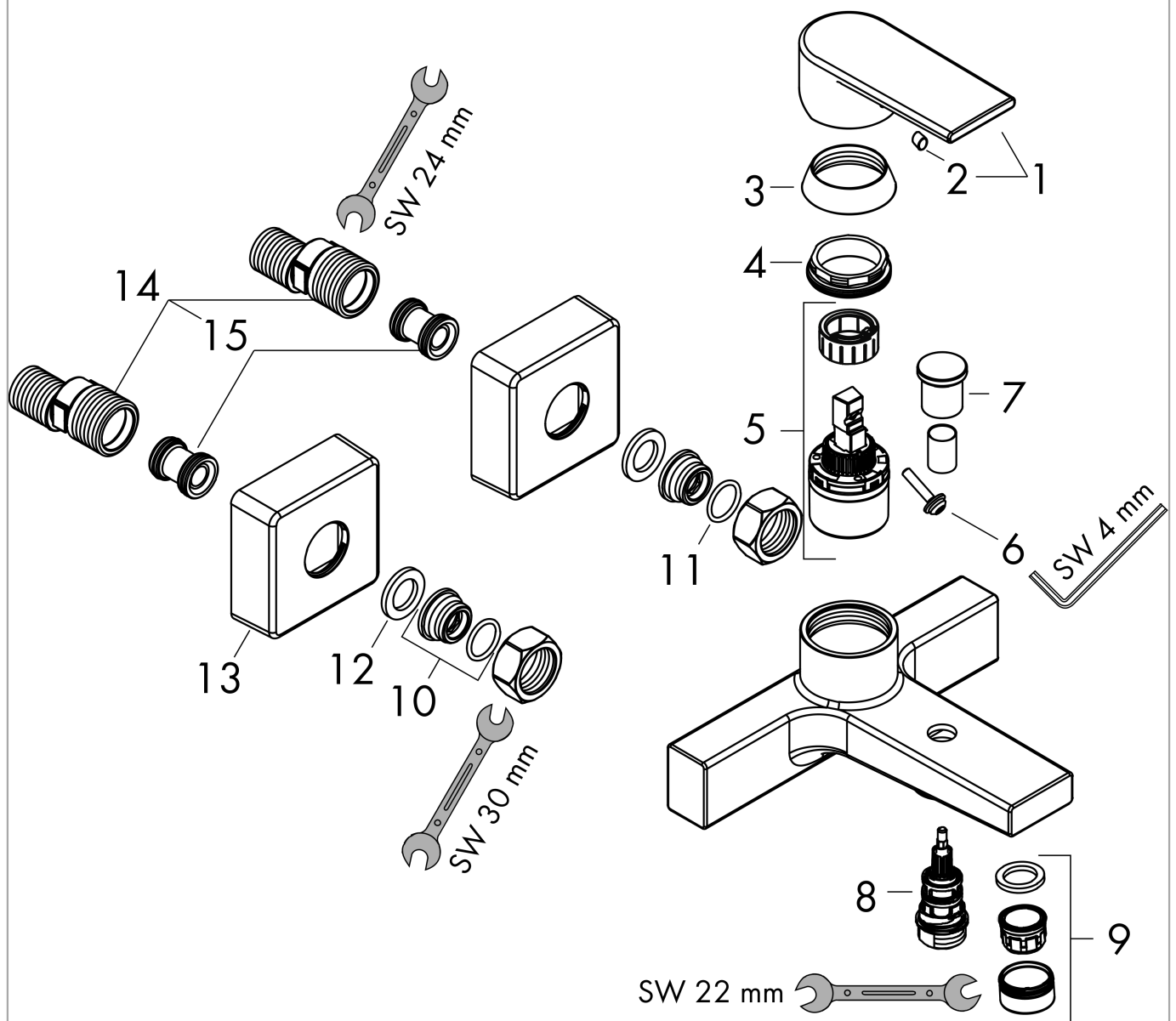


Vernis Shape
Single lever bath mixer for exposed installation
 Finish: **Matt Black** Art. no. : **71450670**



Exploded Drawing

Year of production: >04/21



Vernis Shape
Single lever bath mixer for exposed installation
 Finish: **Matt Black** Art. no. : **71450670**



Spare part list

Year of production: >04/21

Pos.	Description	Art. no.	Price	PU
1	handle	93719670	-	1
2	screw cover	96338000	-	1
3	flange	93716670	-	1
4	nut	93717000	-	1
5	cartridge, assy	92730000	-	1
6	locking screw for handle	95140000	-	1
7	diverter knob	93766670	-	1
8	selector	97978000	-	1
9	aerator M24x1 (38 l/min)	92513670	-	1
10	connecting thread G½	93767000	-	1
11	O-ring 16x2	98133000	-	1
12	filter packing	96922000	-	1
13	escutcheon	93879670	-	1
14	set of S-unions (±12 mm)	94140000	-	1
15	noise reduction	96429000	-	1