

## Talis E

### Single lever basin mixer 80 with pop-up waste

Surfaces: **chrome** Art. no. : **71700000**



#### Description

##### product features

- Consists of: single lever basin mixer, waste set
- ComfortZone 80 provides space for greater freedom of movement
- free-standing installation
- spout 96 mm long
- normal spray
- Flow rate (at 3 bar): 5 l/min
- ceramic cartridge
- pop-up waste set 1¼"
- Material waste set: metal
- QuickClean technology for easy limescale removal
- operating pressure: min 1 bar / max 10 bar
- winner of the iF product design award 2016
- WRAS 1610035
- WRAS 1610035
- WRAS 1610035

#### Article Details

Price excl. VAT

£ 100.00

#### Technology



#### Design awards



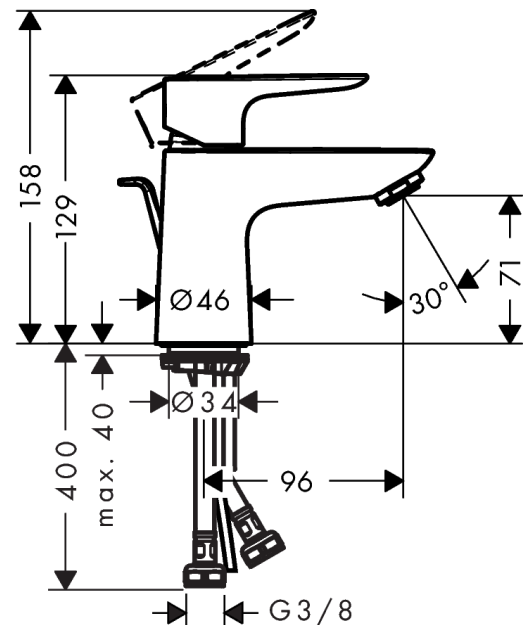
#### Certificates



#### Product image



#### Scale drawing



**Talis E**  
**Single lever basin mixer 80 with pop-up waste**  
 Surfaces: **chrome** Art. no. : **71700000**



**Flowchart**

