

Talis E

Single lever basin mixer 80 LowFlow 3.5 l/m with pop-up waste

Surfaces: **chrome** Art. no. : **71705000**



Description

product features

- Consists of: single lever basin mixer, waste set
- ComfortZone 80 provides space for greater freedom of movement
- free-standing installation
- spout 96 mm long
- normal spray
- Flow rate (at 3 bar): 3.5 l/min
- ceramic cartridge
- pop-up waste set 1¼"
- Material waste set: metal
- QuickClean technology for easy limescale removal
- winner of the iF product design award 2016
- WRAS 1610035
- WRAS 1610035
- WRAS 1610035

Article Details

Price excl. VAT

£ 100.00

Technology



Design awards



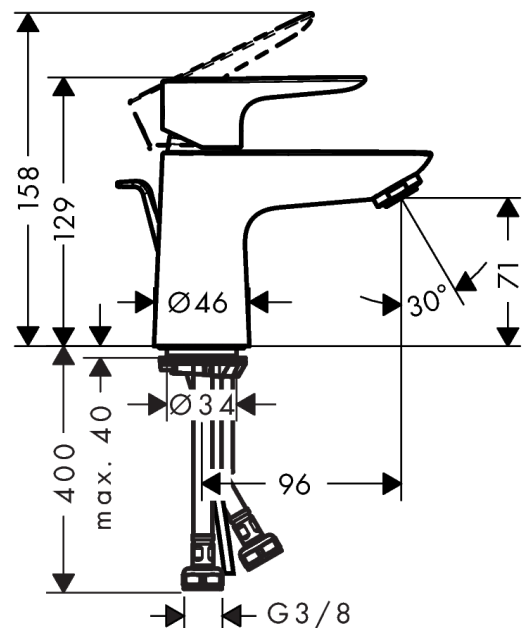
Certificates



Product image



Scale drawing



Talis E
Single lever basin mixer 80 LowFlow 3.5 l/m with pop-up waste
 Surfaces: **chrome** Art. no. : **71705000**



Flowchart

