

## Rebris S

Single lever basin mixer 210 with swivel spout and pop-up waste set

Finish: **Chrome** Art. no. : **72536000**



### Description

#### product features

- Consists of: single lever basin mixer, waste set
- ComfortZone 210 provides space for greater freedom of movement
- spout 154 mm long
- spout height: 222 mm
- Handle variant: Lever
- free-standing installation
- Swivel spout 120°
- Spray pattern: normal spray
- Maximum flow rate (at 3 bar): 5 l/min
- Min. operating pressure: 1 bar
- Max. operating pressure: 10 bar
- ceramic cartridge
- pop-up waste set 1¼"
- Material waste set: synthetic
- WRAS 2303339

### Article Details

Price excl. VAT

£ 151.67

### Technology



### Design awards



reddot winner 2022



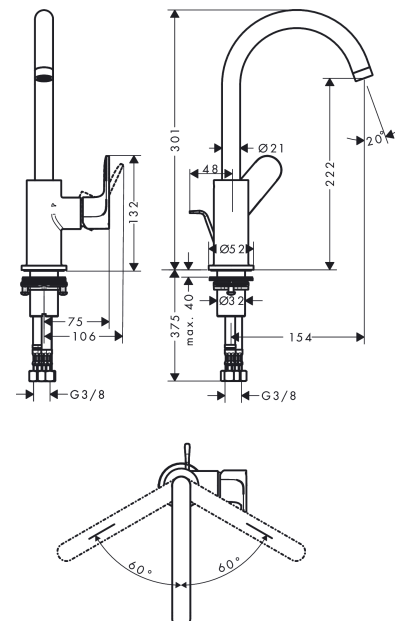
### Certificates / Sustainability



### Product image



### Scale drawing



**Rebris S**

**Single lever basin mixer 210 with swivel spout and pop-up waste set**

Finish: **Chrome** Art. no. : **72536000**



**Flowchart**

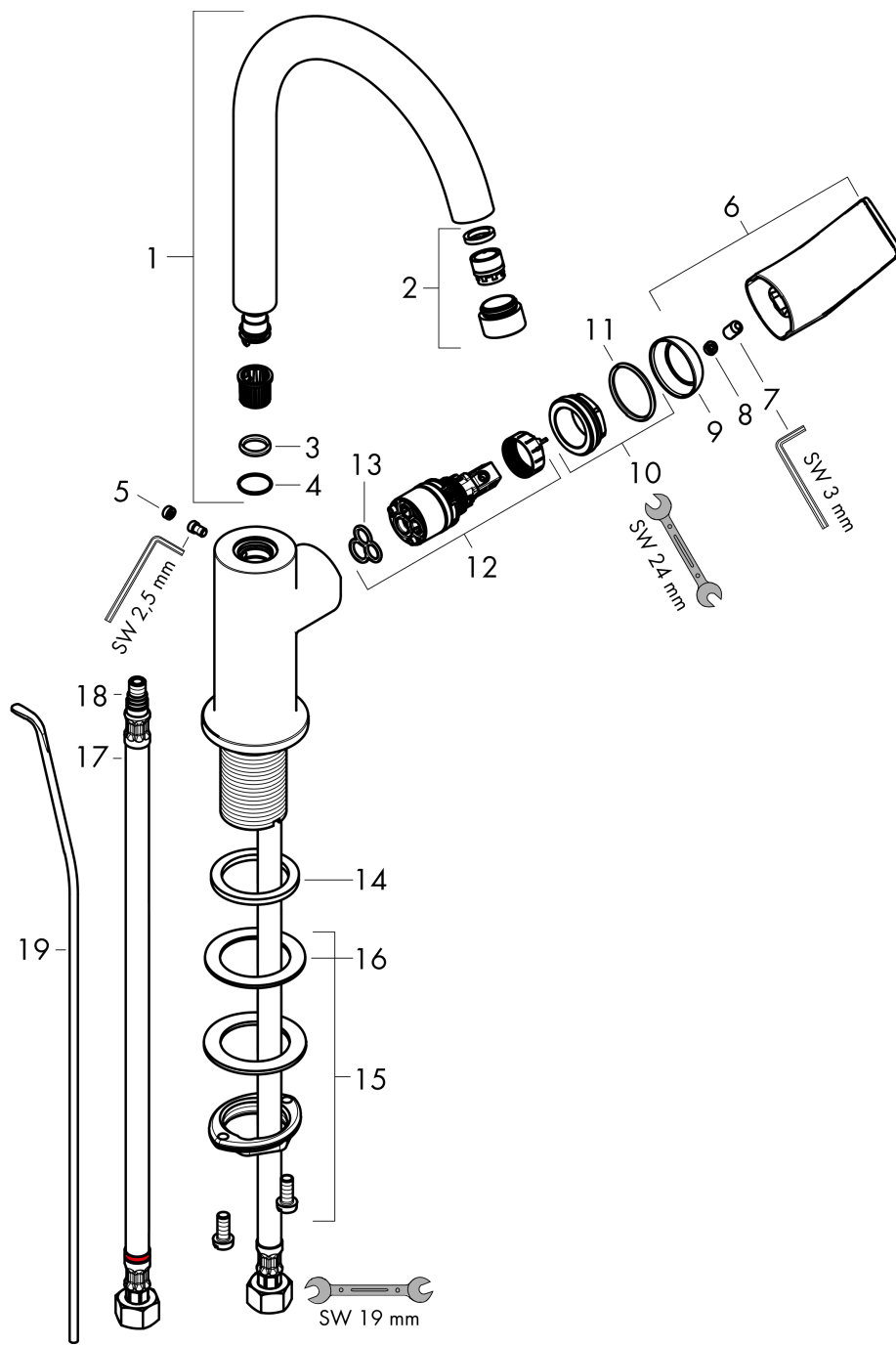


**Rebris S**  
**Single lever basin mixer 210 with swivel spout and pop-up waste set**  
 Finish: **Chrome** Art. no. : **72536000**



**Exploded Drawing**

Year of production: >06/22



## Rebris S

Single lever basin mixer 210 with swivel spout and pop-up waste set

Finish: **Chrome** Art. no. : **72536000**



### Spare part list

Year of production: >06/22

Pos.	Description	Art. no.	Price	PU
1	spout cpl.	95494000	-	1
2	aerator M18x1 (5 l/min)	95387000	-	1
3	O-ring 11x2	98127000	-	1
4	O-ring 13x1	98386000	-	1
5	screw cover	95181000	-	1
6	handle	94646000	-	1
7	hollow set screw M6x10 DIN 916	96029000	-	1
8	screw cover	95704000	-	1
9	flange	95493000	-	1
10	nut	95178000	-	1
11	O-ring 24x2	98388000	-	1
12	cartridge, assy	95973001	-	1
13	seal	98865000	-	1
14	flat seal	98749000	-	1
15	fixing set (Ø 32)	13961000	-	1
16	lever collar	97548000	-	1
17	connection hose 450 mm M8x0,75 G3/8	97206000	-	1
18	O-ring 7x1,5	98422000	-	1
19	pull rod	96657000	-	1
a	pop up waste	92168000	-	1
b	fixation extension 35 mm	13898000	-	1