

## Talis M54

Single lever kitchen mixer 210 with pull-out spout and sBox, single spray mode

Finish: **Stainless Steel Finish** Art. no. : **72803800**



### Description

#### product features

- Consists of: Single lever kitchen mixer, hose box
- ComfortZone 210 provides space for greater freedom of movement
- Swivel spout adjustable in 4 steps 60°, 110°, 150° or 360°
- normal spray
- Maximum flow rate (at 3 bar): 7 l/min
- Operating pressure: min. 1 bar/max. 10 bar
- ceramic cartridge
- 3/8" hose connections
- integrated non-return valve
- sBox for quiet, smooth and protected hose guidance in the cabinet, under the countertop
- extension length up to 76 cm
- tap hole with Ø 35 mm required

### Article Details

Price excl. VAT

£ 455.00

### Technology



### Design awards



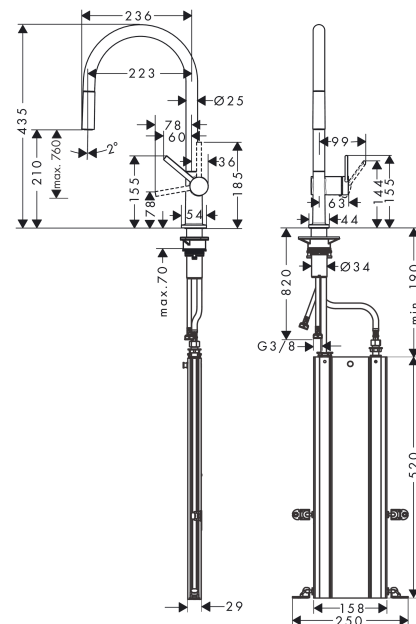
reddot winner 2020



### Product image



### Scale drawing



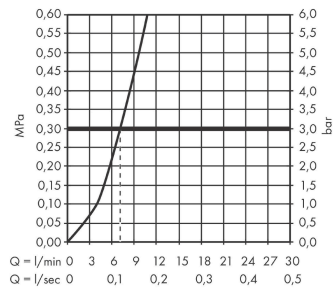
**Talis M54**

**Single lever kitchen mixer 210 with pull-out spout and sBox, single spray mode**

Finish: **Stainless Steel Finish** Art. no. : **72803800**



**Flowchart**



**Talis M54**

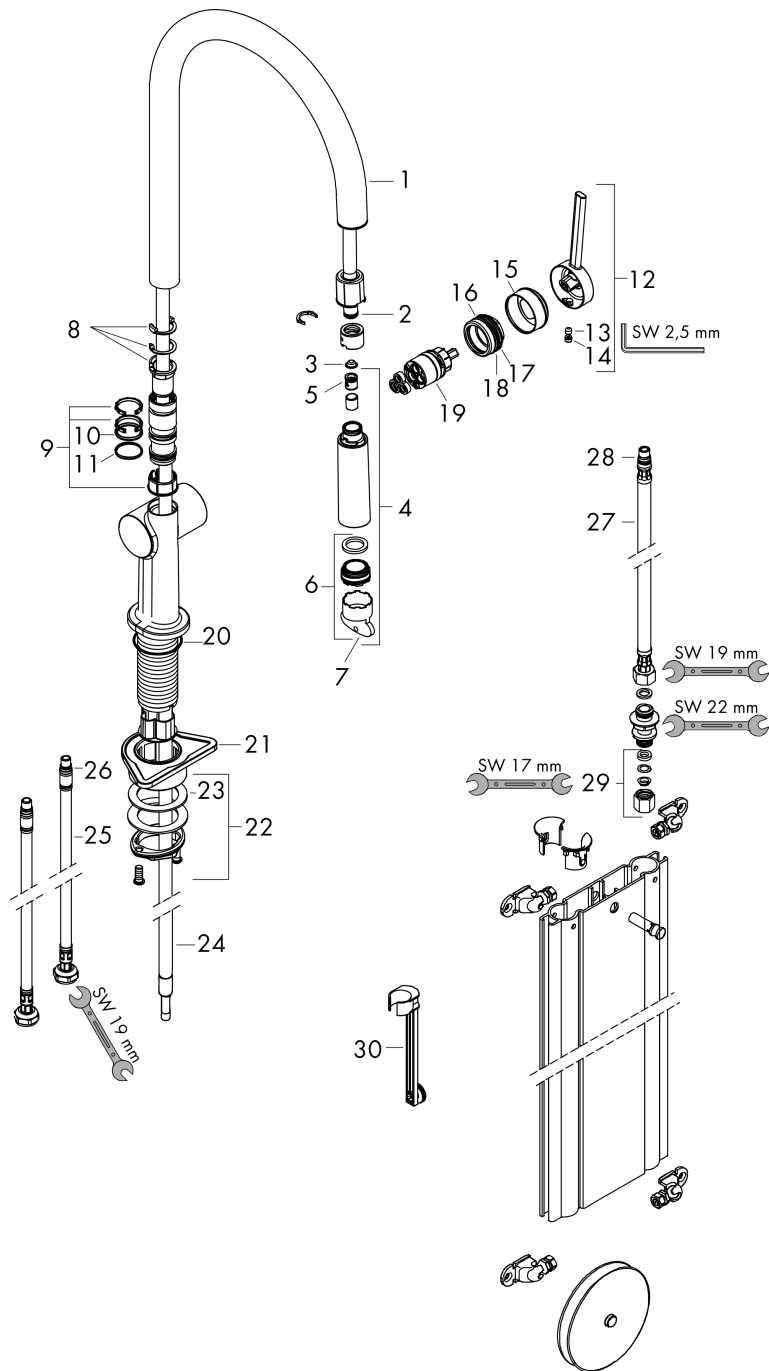
**Single lever kitchen mixer 210 with pull-out spout and sBox, single spray mode**

Finish: **Stainless Steel Finish** Art. no. : **72803800**



**Exploded Drawing**

Year of production: >04/20



## Talis M54

Single lever kitchen mixer 210 with pull-out spout and sBox, single spray mode

Finish: **Stainless Steel Finish** Art. no. : **72803800**



### Spare part list

Year of production: >04/20

Pos.	Description	Art. no.	Price	PU
1	spout cpl.	93739800	-	1
2	O-ring 8x2	98112000	-	1
3	filter	98516000	-	1
4	handspray	93747800	-	1
5	non return valve DW 10	96456000	-	1
6	aerator M24x1 (7 l/min)	95965000	-	1
7	special tool	95158000	-	1
8	set of locating rings (60° / 110° / 150°)	94911000	-	1
9	set of lever collars	98365000	-	1
10	O-ring 19x2	98426000	-	1
11	O-ring 20x1,5	98197000	-	1
12	handle	93736800	-	1
13	hollow set screw M5x5	98446000	-	1
14	screw cover	93735610	-	1
15	flange	93737800	-	1
16	nut	93738000	-	1
17	O-ring 29x2	98391000	-	1
18	O-ring 30x1,5	98433000	-	1
19	cartridge, assy	93740000	-	1
20	O-ring 36x3	98052000	-	1
21	support	97523000	-	1
22	fixing set (Ø 34)	95049000	-	1
23	lever collar	97548000	-	1
24	hose	93754000	-	1
25	connection hose 900 mm M8x0,75 G3/8	93746000	-	1
26	O-ring 6,6x1,6	93019000	-	1
27	connection hose 450 mm M8x0,75 G3/8	97206000	-	1
28	O-ring 7x1,5	98422000	-	1
29	squeezing connection	96099000	-	1
30	extension set	43333000	-	1