

## Talis M54

Single lever kitchen mixer 220, single spray mode  
Finish: **Stainless Steel Finish** Art. no. : **72804800**



### Description

#### product features

- ComfortZone 220 provides space for greater freedom of movement
- Swivel spout adjustable in 4 steps 60°, 110°, 150° or 360°
- laminar spray
- Maximum flow rate (at 3 bar): 9 l/min
- Operating pressure: min. 1 bar/max. 10 bar
- ceramic cartridge
- 3/8" hose connections
- tap hole with Ø 35 mm required
- WRAS 2307036
- WRAS 2307036 - Approval letter 2307036

### Article Details

Price excl. VAT

£ 314.20

### Technology



### Design awards



reddot winner 2020



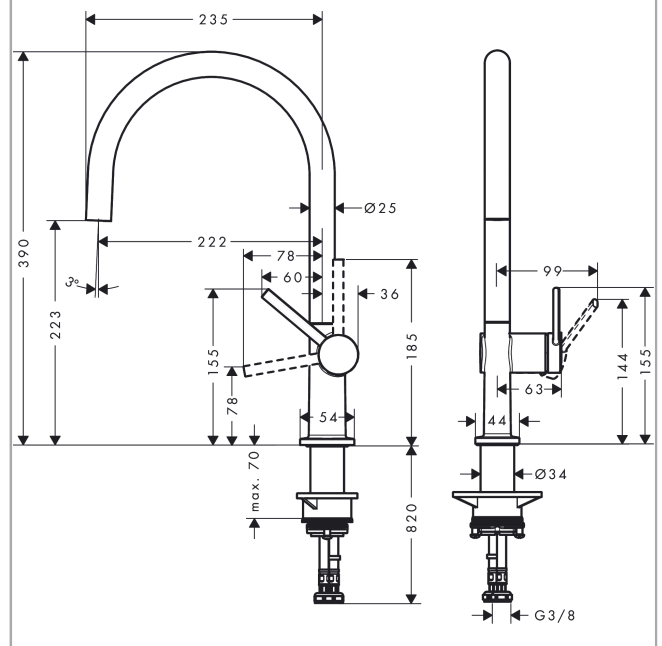
### Certificates / Sustainability



### Product image



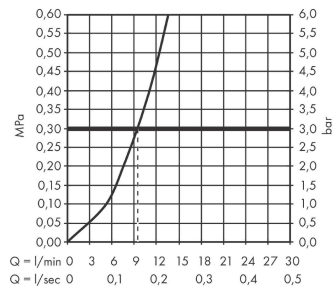
### Scale drawing



**Talis M54**  
**Single lever kitchen mixer 220, single spray mode**  
 Finish: **Stainless Steel Finish** Art. no. : **72804800**



**Flowchart**



**Talis M54**

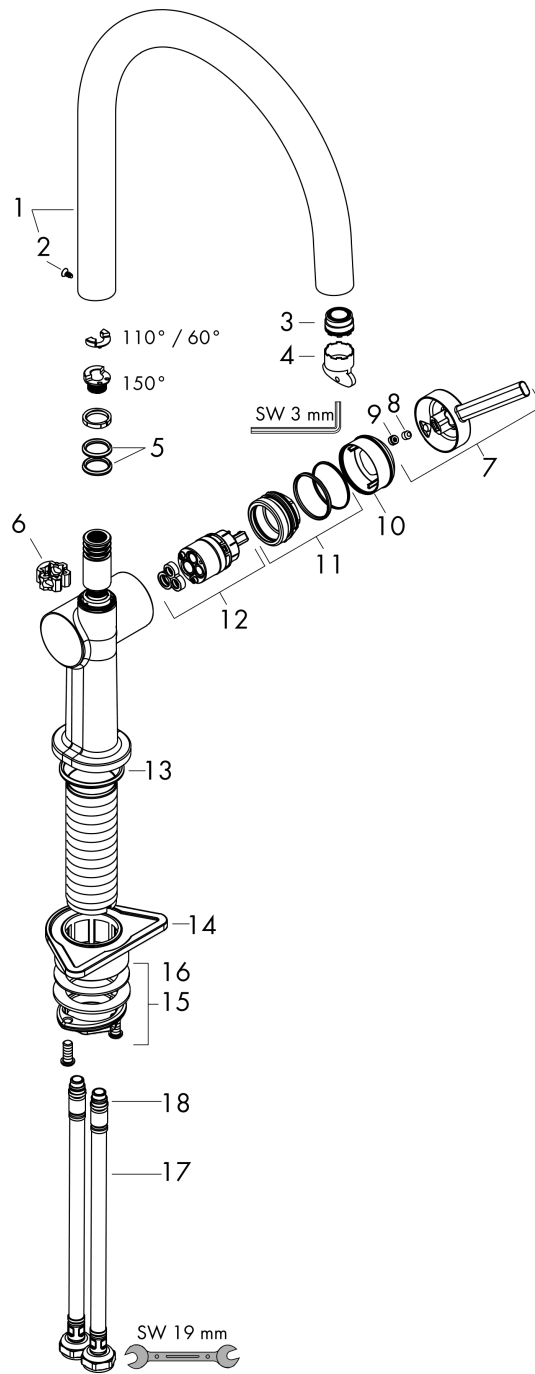
**Single lever kitchen mixer 220, single spray mode**

Finish: **Stainless Steel Finish** Art. no. : **72804800**



**Exploded Drawing**

Year of production: >04/21



## Talis M54

Single lever kitchen mixer 220, single spray mode

Finish: **Stainless Steel Finish** Art. no. : **72804800**



### Spare part list

Year of production: >04/21

Pos.	Description	Art. no.	Price	PU
1	spout cpl.	93757800	-	1
2	screw	94319000	-	1
3	spray former	93748000	-	1
4	service tool	93750000	-	1
5	O-Ring 14x2,5	98189000	-	1
6	axialring	97558000	-	1
7	handle	93736800	-	1
8	hollow set screw M5x5	98446000	-	1
9	screw cover	93735610	-	1
10	flange	93737800	-	1
11	nut	93738000	-	1
12	cartridge, assy	93760000	-	1
13	O-ring 36x3	98052000	-	1
14	support	97523000	-	1
15	fixing set (Ø 34)	95049000	-	1
16	lever collar	97548000	-	1
17	connection hose 900 mm M8x0,75 G3/8	93746000	-	1
18	O-ring 6,6x1,6	93019000	-	1