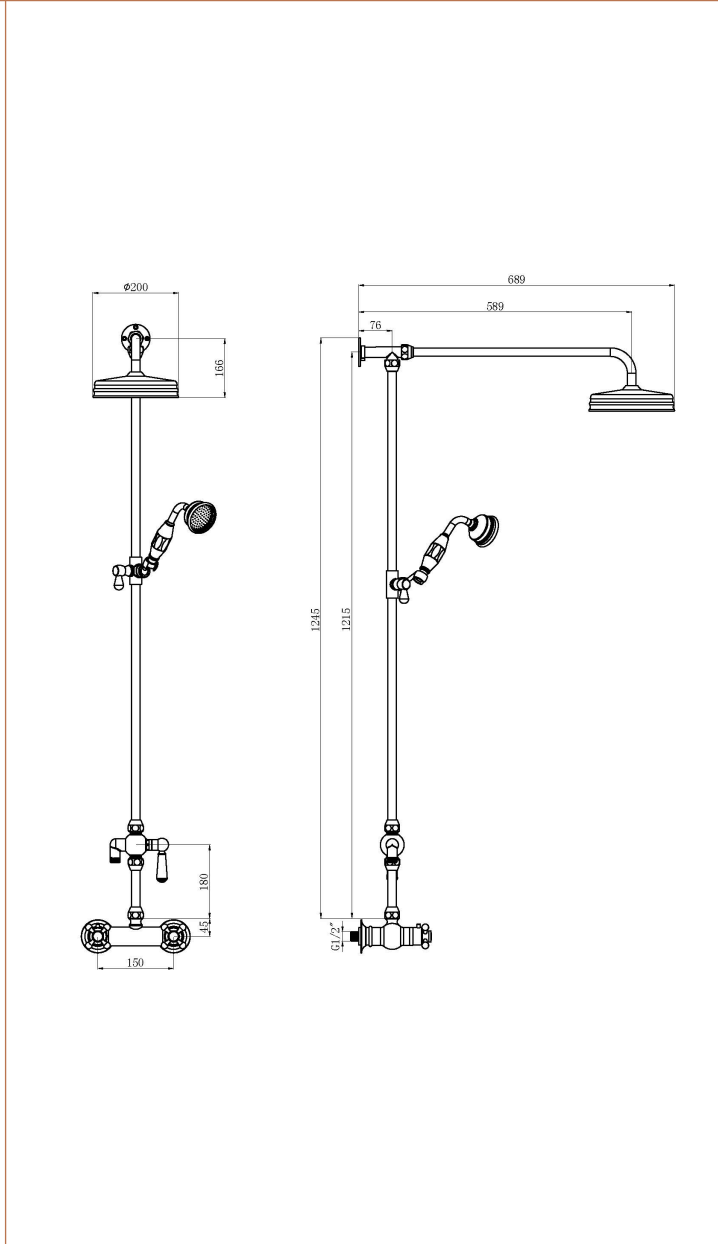


Sales Code: A8117

Description: Trad Ther Shower Valve Riser Diverter



Product Dimensions

| | |
|-------------------|------|
| Length (mm): | |
| Width (mm): | 200 |
| Height (mm): | 1245 |
| Depth (mm): | 689 |
| Nett Weight (kg): | 7.02 |

Packaging Dimensions

| | |
|--------------------|------|
| Length (mm): | 75 |
| Width (mm): | 130 |
| Height (mm): | |
| Gross Weight (kg): | 7.02 |

Packaging Data

| | |
|---------------|---------------------|
| Box Colour: | White Cardboard Box |
| Box Qty: | 1 |
| Label Size: | 100 x 50 |
| Label Colour: | White Label |
| Label Qty: | 1 |

Outer Box Dimensions (If Applicable)

| | |
|--------------------|---------------|
| Length (mm): | |
| Width (mm): | |
| Height (mm): | |
| Depth (mm): | |
| Gross Weight (kg): | |
| Barcode: | 5056462603452 |

Product Details

| | |
|---------------------------|---------------------------------------------------------------|
| Country of Origin: | China |
| Fitting Instruction: | No |
| Product Material: | Brass |
| Mount Type: | Wall |
| Outlet Elbow Supplied: | Not Applicable |
| Easy Clean: | No |
| Head Included: | Yes |
| Handset Included: | Yes |
| Body Jets Included: | No |
| No of Body Jets: | Not Applicable |
| Operating Pressure (bar): | 0.5 |
| Valve/Cartridge Type: | 1/4 Turn Ceramic Disc |
| Flow Rates (L/min): | 0.1 bar: N/A 0.5 bar: 7.1 1 bar: 10.3 2 bar: 14.8 3 bar: 18.2 |
| TMV2 Approved: | No Approval No: N/A |
| TMV3 Approved: | No Approval No: N/A |
| WRAS Approved: | No Approval No: N/A |
| Head Function: | Single |
| Handset Function: | Single Setting |
| Body Jet Info: | Not Applicable |
| Pipe Size: | 18 mm |
| Pipe Centres: | 150 |
| Colour/Finish: | Brushed Brass |
| Hose Included: | Yes |
| No. of Outlets: | 1 |