

APR PULLSNK C

APRICOT Tap Range Apricot Monobloc Sink Mixer with Pull Out Spray Chrome



Specification	
Style:	Contemporary
Product Type:	Taps
Finish/Colour:	Chrome
Main Construction Material:	Brass
Mount Type:	Deck
Handle Type:	Single Lever
Connection Inlet:	1/2" BSP
Number of Tap Holes Required:	1
Valve/Cartridge Type:	Ceramic Cartridge
Plumbing System Suitability	All
Working Pressure Range:	Min 1.5 bar, Max 5.0 bar
Maximum Hot Water Temperature: °c	65
Maximum Dynamic Pressure: (bar)	5
Maximum Static Pressure: (bar)	10
Flow Type:	Single
Flow Rate: (l/min @ 3 bar)	18.9
Connection Outlet:	N/A
Isolation Included:	N/A

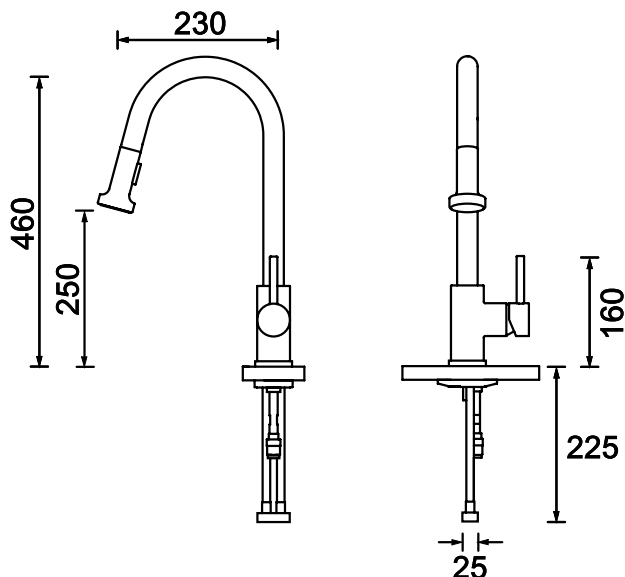
Features:

- Single lever control with smooth turning
- Longer lasting ceramic cartridge
- Push button operated spray function
- Chrome plated to BS EN 248

Product Certificates:



Dimensions (measurements in mm) Apricot



For more products, visit our website:



Flow Rates (l/min)				
System Pressure (bar)	1.5	2	3	5
APR PULLSNK C (Mixed)	12.2	14	17.3	22.5
APR PULLSNK C (Spray)	13.1	15.3	18.9	24.5

TECHNICAL
DATA
SHEET



BRISTAN
TAPS & SHOWERS

D2