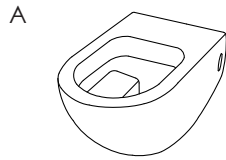


# Installation Instructions

Wall Mounted WC Pan

# Installation Instructions

## Parts List



x 1 Wall Mounted  
WC Pan

B



x 2

C



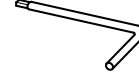
x 2

D



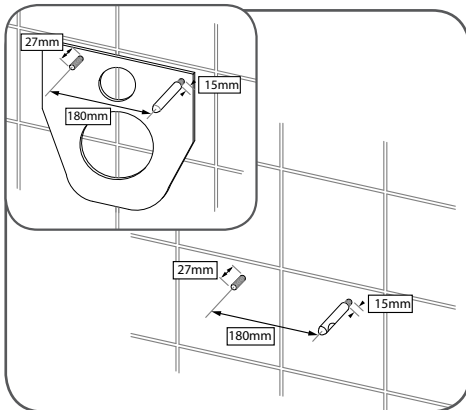
x 2

E

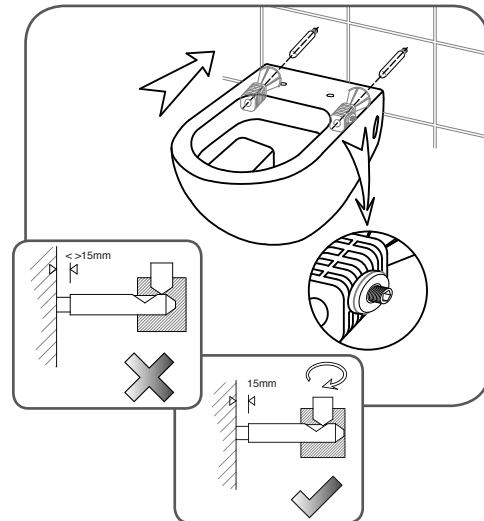


x 1

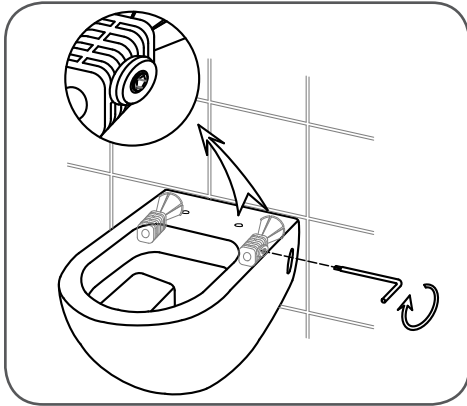
## Fitting the Wall Mounted WC Pan



1. Install your M12 threaded rods (not supplied) at 180mm centres protruding 27mm from the finish tile as shown. If you are installing a foam fixing pad (not supplied), ensure that the threaded rods protrude 27mm from the front surface of the pad. Screw on the WC Pan fixing bullets (C) leaving a gap of 15-20mm between the rear face of the WC Pan fixing bullet (C) and the finish tile (or face of the foam fixing pad). The WC Pan fixing bullets (A) have dimples; ensure that they are facing outwards as shown.

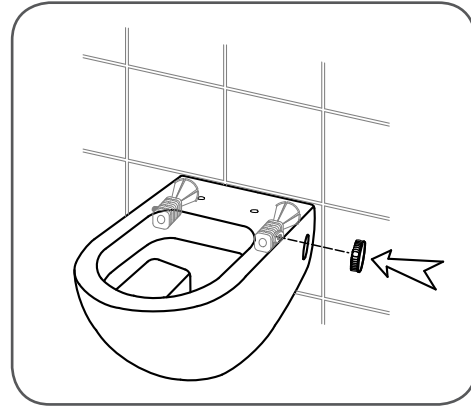


2. Carefully insert and click the black fixing inserts (D) in to place as indicated, ensuring that the grub screw is facing outwards. Using the Allen key (E) supplied, loosen the grub screws a little as shown. Carefully fit the WC Pan (A) on to the wall making sure that the fixing bullets (C) locate in to the black fixing inserts (D).



3. The grub screws on either side of the WC Pan should now be tightened securely using the Allen key (E) so that they locate in to the dimples on the WC Pan fixing bullets (C) and grip the WC Pan against the wall.

Do not over tighten.



4. Push the pan bungs (B) into the side holes of the WC Pan (A).

Due to our commitment to continuous product development we reserve the right to alter specifications without notice. Products are guaranteed against manufacturing defects for the first purchaser only and the guarantee is non-transferable. Our liability under any guarantee expressed or implied is strictly limited to replacement of defective goods or a refund at our discretion and no consequential losses will be entertained. Proof of purchase will be required.