

CAP 1/2 E6 C

CAPRI Tap Range Capri Basin Pillar Taps Eco6 Chrome



| Specification | |
|-----------------------------------|--------------------------|
| Style: | Contemporary |
| Product Type: | Bathroom taps |
| Finish/Colour: | Chrome |
| Main Construction Material: | Brass |
| Mount Type: | Deck |
| Handle Type: | Paddle |
| Connection Inlet: | 1/2" BSP |
| Number of Tap Holes Required: | 2 |
| Valve/Cartridge Type: | 1/2" Ceramic Disc Valves |
| Plumbing System Suitability | All |
| Working Pressure Range: | Min 0.2 -bar Max 5 bar |
| Maximum Hot Water Temperature: °c | 65 |
| Maximum Dynamic Pressure: (bar) | 5 bar |
| Maximum Static Pressure: (bar) | 10.0 bar |
| Flow Type: | Single flow |
| Flow Rate: (l/min @ 3 bar) | 4.0 |
| Connection Outlet: | M20 Flow Straightener |
| Isolation Included: | No |

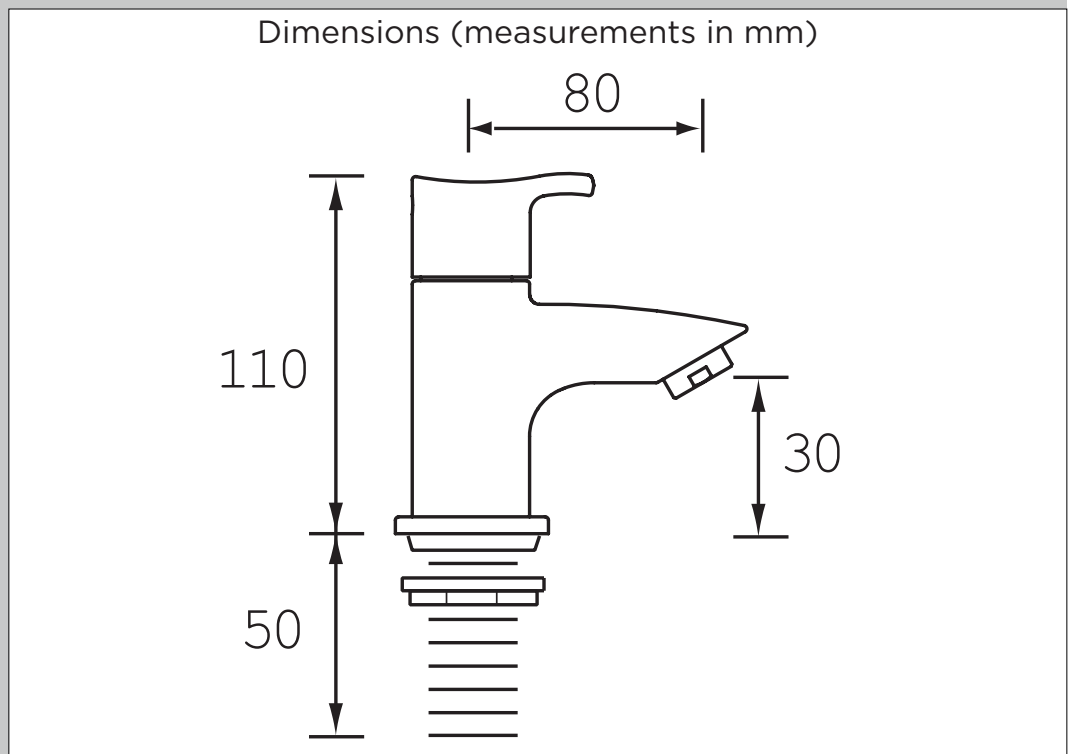
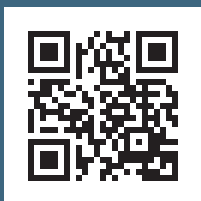
Features:

- Supplied with metal handles
- Chrome plated to BS EN 248
- Product supplied with either 2 x 4 or 2 x 6 litre per minute flow regulators which can be inserted into the threaded tail to reduce water consumption and increase water efficiency (Flow Regulators accurate +/- 10%)

Product Certifications:



For more products, visit our website:



| Flow Rates (l/min) | | | | | | |
|------------------------------------|-----|------|------|------|------|-----|
| System Pressure (bar) | 0.2 | 0.5 | 1 | 2 | 3 | 5 |
| Without Flow Regulator Fitted | 8.0 | 12.9 | 18.5 | 26.6 | 32.6 | 42 |
| With 4 l/p/m Flow Regulator fitted | -- | -- | 6.0 | 6.0 | 6.0 | 6.0 |

TECHNICAL
DATA
SHEET



BRISTAN
TAPS & SHOWERS

D2