

CAS 3HBF C

CASCADE Tap Range Cascade 3 Hole Bath Filler Chrome



Features:

- Brass construction
- 3 tapholes
- 3/4" valve

Product Certifications:

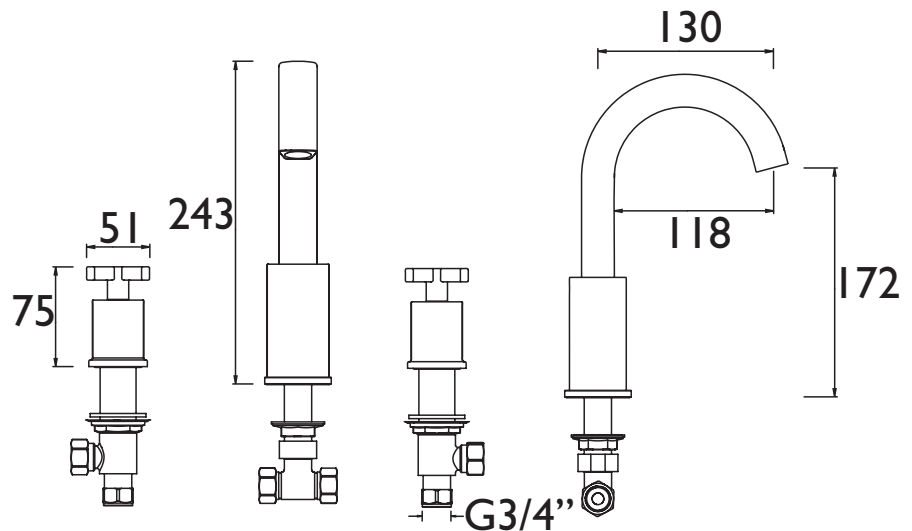
For more products, visit our website:
<http://www.bristan.com>



Specification

Style:	Contemporary
Product Type:	Bathroom Taps
Main Construction Material:	Brass
Mount Type:	Deck Mounted
Handle Type:	Crosshead
Connection Inlet:	3/4" BSP Threaded Tail
Connection Outlet:	N/A
Number of Tap Holes:	3
Valve/Cartridge Type:	3/4" CD Valve 1/4 Turn
Plumbing System Requirements:	All
Working Pressure Range:	Min. 0.3, Max. 5.0 bar
Maximum Hot Water Temperature: °C	60
Maximum Dynamic Pressure: (bar)	5
Maximum Static Pressure: (bar)	10
Flow Type:	Single
Flow Rate: (l/min @ 3 bar)	68.4
Isolation Included:	No

Dimensions (measurements in mm)



Flow Rates (l/min)

System Pressure (bar)	0.3	0.5	1	2	3	5
CAS 3HBF C	20.9	27.6	37.3	55.4	68.4	89.9

TECHNICAL
DATA
SHEET



BRISTAN
TAPS & SHOWERS
D2