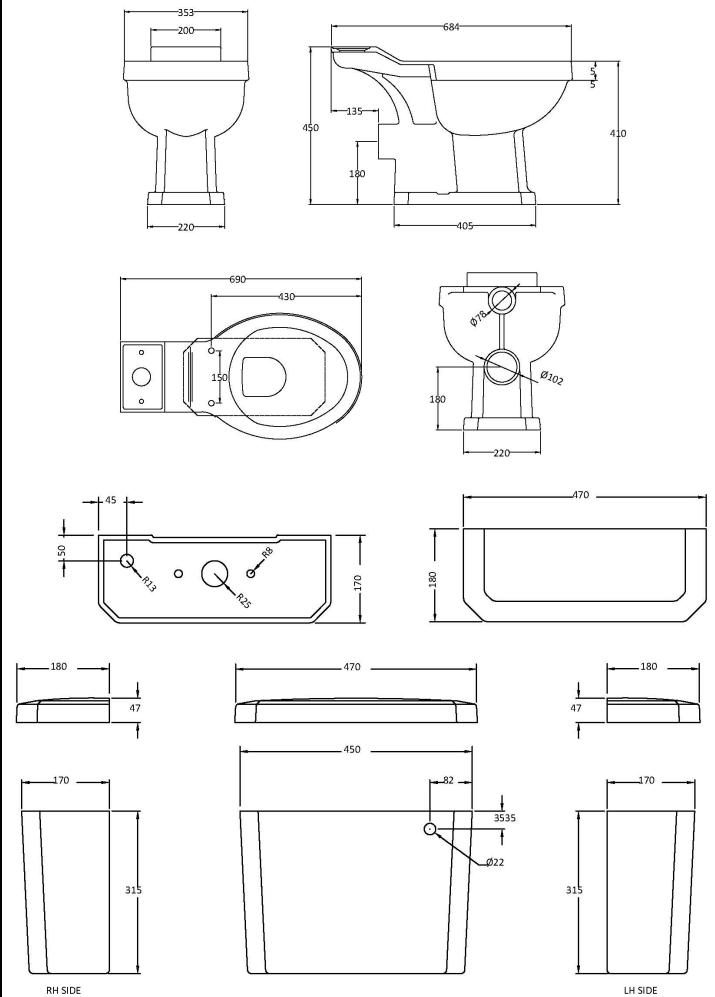


## CUSTOMER DATA SHEET

SALES CODE: Cct003

DESCRIPTION: Carlton C/C Pan, Cistern & Seat



### PACKAGING DETAILS

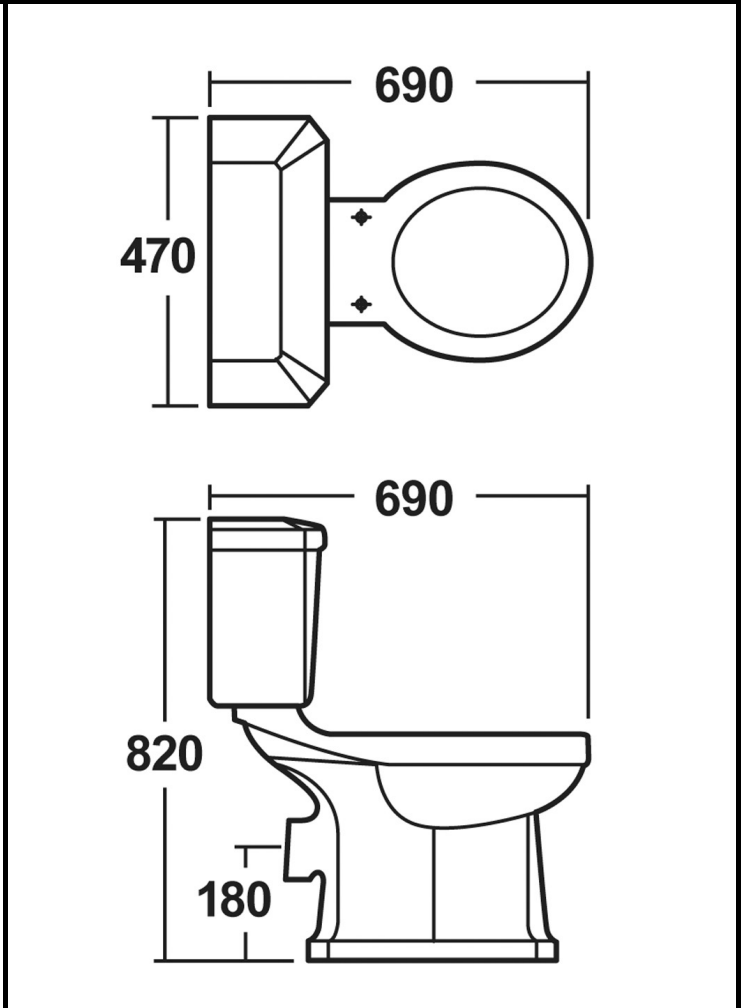
Barcode

5056211804888

## CUSTOMER DATA SHEET - CERAMICS

SALES CODE: NCS880

DESCRIPTION: Toilet Pan C/C (Excluding Seat)



### PRODUCT DIMENSIONS

Height (mm)	Width (mm)	Depth (mm)	Nett Wgt Kg
450	353	690	24.05

### PACKAGING DIMENSIONS

Height (mm)	Width (mm)	Depth (mm)	Gross Wgt Kg
495	405	700	24.05

### PACKAGING DATA

Box Colour	Brown Cardboard Box - Printed		
Box Qty	1	Label Colour	Not Applicable
Label Size	100 x 50	Label Qty	0

### OUTER BOX DIMENSIONS (If Applicable)

Height (mm)	Width (mm)	Depth (mm)	Gross Wgt Kg
Barcode		5055369040100	

### PRODUCT DETAILS

Country of Origin	China
Fitting Instruction	No

Certification	CE	N/A	WRAS	N/A	WRAS Number	N/A
Product Material	Vitreous China					

### PANS/BIDETS

Trap Style	P Trap	Includes Seat	No
------------	--------	---------------	----

### CISTERNS

Fittings	Not Applicable	Operating Type	Not Applicable
Lever Type	Not Applicable		

### SEAT

Type	Round	Function	Not Applicable
Material	Not Applicable		
Hinge Type	Top & Bottom Fix	Hinge Material	Not Applicable

### BASINS

Tap Hole	Not Applicable	Chain Stay Hole	Not Applicable
Template	Not Applicable	Waste Type Req'd	Not Applicable
Overflow Incl.	Not Applicable	Overflow Cover	Not Applicable
Inner Bowl Depth	N/A		

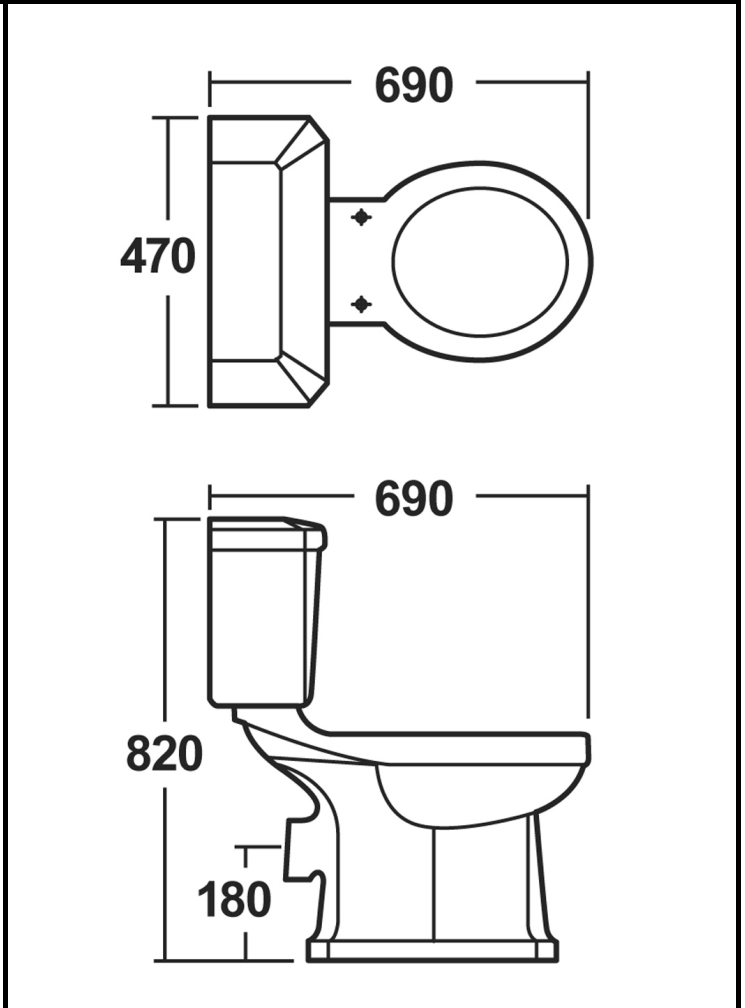
### GENERAL

Fixing Supplied	No
-----------------	----

## CUSTOMER DATA SHEET - CERAMICS

SALES CODE: NCS881A

DESCRIPTION: Toilet Cistern W/ Chrome Lever & Ftg



### PRODUCT DIMENSIONS

Height (mm)	Width (mm)	Depth (mm)	Nett Wgt Kg
362	470	180	13

### PACKAGING DATA

Box Colour	Brown Cardboard Box		
Box Qty	1	Label Colour	White Label
Label Size	100 x 50	Label Qty	2

### PACKAGING DIMENSIONS

Height (mm)	Width (mm)	Depth (mm)	Gross Wgt Kg
380	515	200	13.5

### OUTER BOX DIMENSIONS (If Applicable)

Height (mm)	Width (mm)	Depth (mm)	Gross Wgt Kg
Barcode	5055369043194		

### PRODUCT DETAILS

Country of Origin	China
Fitting Instruction	No

Certification	CE	WRAS	Yes	WRAS Number	N/A
Product Material	Vitreous China				

### PANS/BIDETS

Trap Style	Not Applicable	Includes Seat	Not Applicable
------------	----------------	---------------	----------------

### CISTERNS

Fittings	Loose Single 6L	Operating Type	Lever
Lever Type	Standard Chrome Plated		

### SEAT

Type	Not Applicable	Function	Not Applicable
Material	Not Applicable		
Hinge Type	Not Applicable	Hinge Material	Not Applicable

### BASINS

Tap Hole	Not Applicable	Chain Stay Hole	Not Applicable
Template	Not Applicable	Waste Type Req'd	Not Applicable
Overflow Incl.	Not Applicable	Overflow Cover	Not Applicable
Inner Bowl Depth	N/A		

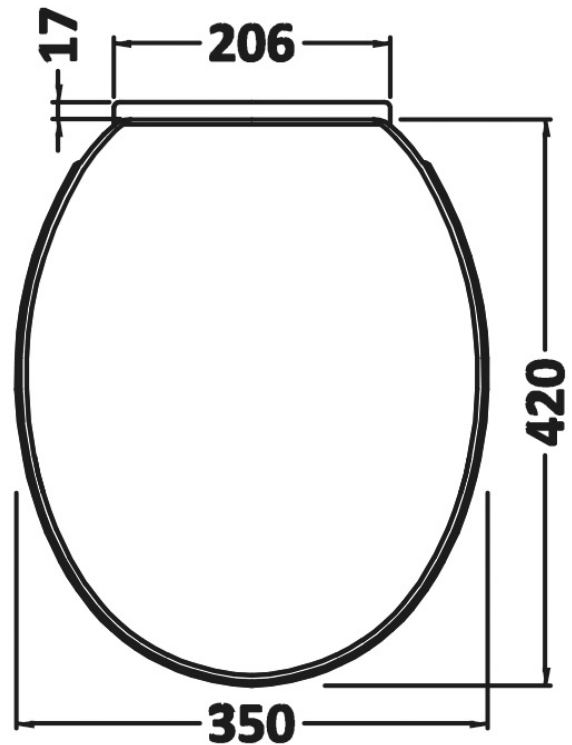
### GENERAL

Fixing Supplied	No
-----------------	----

## CUSTOMER DATA SHEET - TOILET SEATS

SALES CODE: NTS010

DESCRIPTION: Standard Soft Close Seat



### PRODUCT DIMENSIONS

Length (mm)	Width (mm)	Height(mm)	Nett Wgt Kg
420	350	50	1.4

### PACKAGING DATA

Box Colour	White Cardboard Box - Printed		
Box Qty	1	Label Colour	Not Applicable
Label Size	100 x 50	Label Qty	

### PACKAGING DIMENSIONS

Length (mm)	Width (mm)	Height (mm)	Gross Wgt Kg
440	350	70	1.42

### OUTER BOX DIMENSIONS (If Applicable)

Length (mm)	Width (mm)	Height (mm)	Gross Wgt Kg
480	330	400	14
Barcode	5055369001446		

### PRODUCT DETAILS

Country of Origin	China
Fitting Instruction	Yes
Product Material	Polypropylene
Seat Type	Round
Hinge Centres (Min)	120
Hinge Centres (Max)	180

CE Certification	Not Applicable
Colour/Finish	White
Fixing Method	Bottom Fix
Seat Function	Soft Close
Hinge Material	Polypropylene