

TECHNICAL DATA SHEET



CHOCOLATE

EasyFit Kitchen Sink Mixer

Product Specification

Product Codes & Finishes: CHO EFSNK C (Chrome)
CHO EFSNK BN (Brushed Nickel)

Product Type: Contemporary

Construction: Body is of brass construction and is designed to conform to BS EN 200

Valve Type: ¼ Turn CD Valves

Supply: Suitable for all plumbing systems
 Preferably Balances Pressures

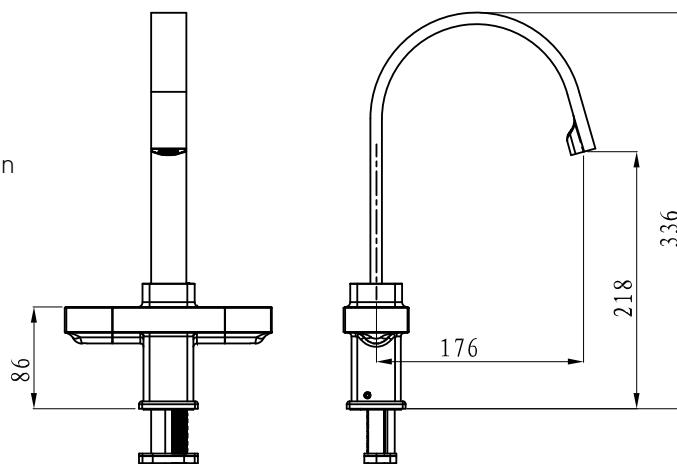
Inlet Connections: ½" BSP

Working Pressures: Min 0.5bar, Max 5.0bar



Additional Information

- Unique patented technology.
- Designed with the installer in mind to ensure installation and future maintenance is made quick and easy.
- Supplied with flexible connecting pipes.
- Supplied with easy to use metal lever handle.
- Chrome plated to BS EN 248.



Flow Rates (litres per minute)

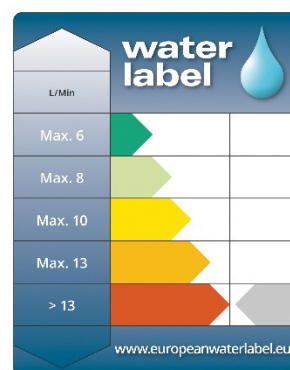
System Pressure	0.5bar	1.0bar	2.0bar	3.0bar	5.0bar
CHO EFSNK C (Mixed)	13.68	19.34	27.35	33.5	43.25

Compliance / Approvals

WRAS Approval No: 1507950

Technical Advice: For further information please call 0844 7016273
 or email customercare@bristan.com

Guarantee: 5 years covering manufacturing faults.



Bristan, Birch Coppice Business Park, Dordon, Tamworth, B78 1SG
 Telephone: 0844 701 6274 Facsimile: 0844 701 6275
 Web Site: www.bristan.com Email: enquire@bristan.com



The information contained on this page was correct at date of issue. Fitting dimensions are provided as a guide only. Some variation may occur due to manufacturing tolerances. Bristan pursues a policy of continuing improvement in design and performance of its products and so reserves the right to change specifications without prior notice.