

# TECHNICAL DATA SHEET

## CHIVE

### EasyFit Kitchen Sink Mixer

#### Product Specification

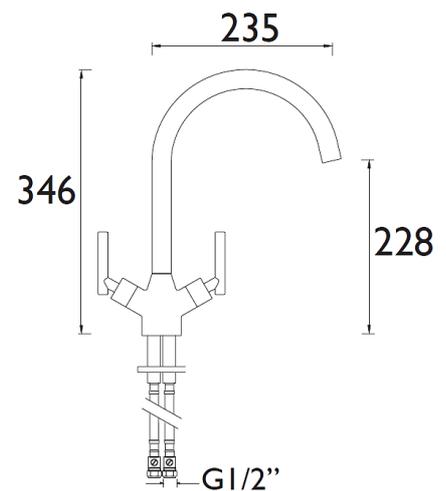
Product Code:	CHV EFSNK C
Finish:	Chrome
Product Type:	Contemporary
Construction:	Body is of brass construction and is designed to conform to BS EN 200
Valve Type:	1/2" CD Valves 1/4 Turn
Supply:	Suitable for all plumbing systems Preferably Balanced
Inlet:	M10 1/2" BSP Flexible Tails with Isolation Valves
Working Pressures:	Min 0.3bar, Max 5.0bar



**Easyfit**  
FASTER. SMARTER.

#### Additional Information

- Unique patented technology.
- Designed with the installer in mind to ensure installation and future maintenance is made quick and easy.
- Supplied with flexible connecting pipes.
- Chrome plated to BS EN 248

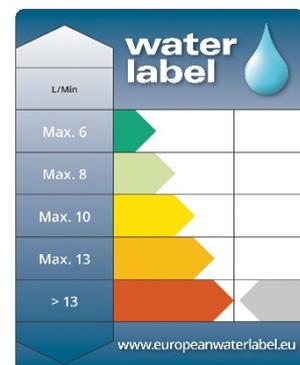


#### Flow Rates (litres per minute)

System Pressure	0.3bar	0.5bar	1.0bar	2.0bar	3.0bar	5.0 bar
CHV EFSNK C (Mixed)	10.4	13.43	19	26.86	32.9	42.47

**Technical Advice:** For further information please call 0844 7016273 or email [customercare@bristan.com](mailto:customercare@bristan.com)

**Guarantee:** 5 years covering manufacturing faults



Bristan, Birch Coppice Business Park, Dordon, Tamworth, B78 1SG  
Telephone: 0844 701 6274 Facsimile: 0844 701 6275  
Web Site: [www.bristan.com](http://www.bristan.com) Email: [enquire@bristan.com](mailto:enquire@bristan.com)



EASY TO USE



Guarantee



Delivery



0844 7016273

The information contained on this page was correct at date of issue. Fitting dimensions are provided as a guide only. Some variation may occur due to manufacturing tolerances. Bristan pursues a policy of continuing improvement in design and performance of its products and so reserves the right to change specifications without prior notice.