

COB BSM C

COBALT Tap Range Cobalt Bath Shower Mixer Chrome



Features:

- Metal Backnuts
- Ceramic Disc
- 3/4" Valve

Product Certifications:



WRAS Certificate No: 1505952
WRAS Expiry Date: 31/05/2020



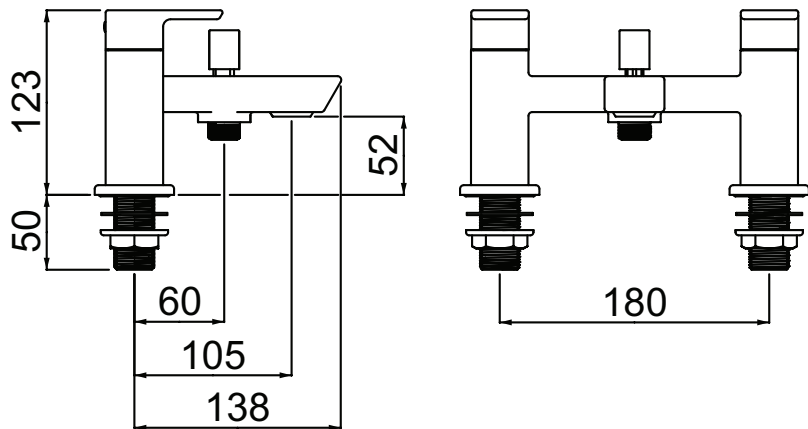
For more products, visit our website:
<http://www.bristan.com>



Specification

Style:	Contemporary
Product Type:	Bathroom Taps
Finish/Colour:	Chrome
Main Construction Material:	Brass
Mount Type:	Deck Mounted
Handle Type:	Paddle
Connection Inlet:	3/4" BSP
Connection Outlet:	N/A
Number of Tap Holes:	2
Valve/Cartridge Type:	3/4" Ceramic Disc Valves
Plumbing System Requirements:	All, Preferably Balanced
Working Pressure Range:	Min. 0.2bar, Max. 5.0
Maximum Hot Water Temperature: °C	65
Maximum Dynamic Pressure: (bar)	5
Maximum Static Pressure: (bar)	10
Flow Type:	Single
Flow Rate: (l/min @ 3 bar)	14.6
Isolation Included:	No

Dimensions (measurements in mm)



Flow Rates (l/min)

System Pressure (bar)	0.2	0.5	1	2	3	5
COB BSM C - Mixed	23.2	40	57.7	81	99.8	129
COB BSM C - Mixed Handset	3	4	8	12.7	14.6	16.3

TECHNICAL DATA SHEET



D2