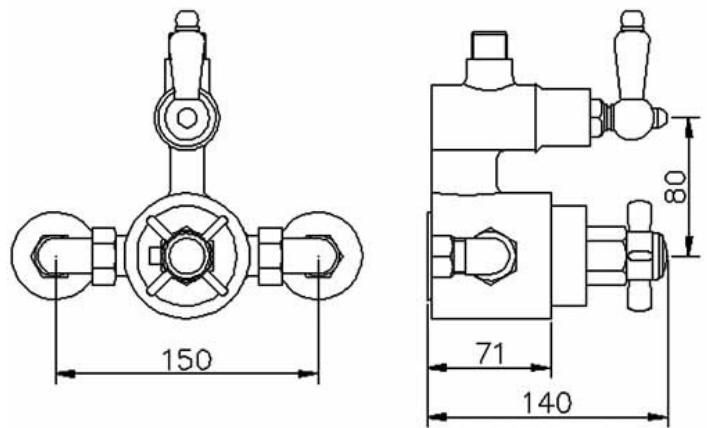
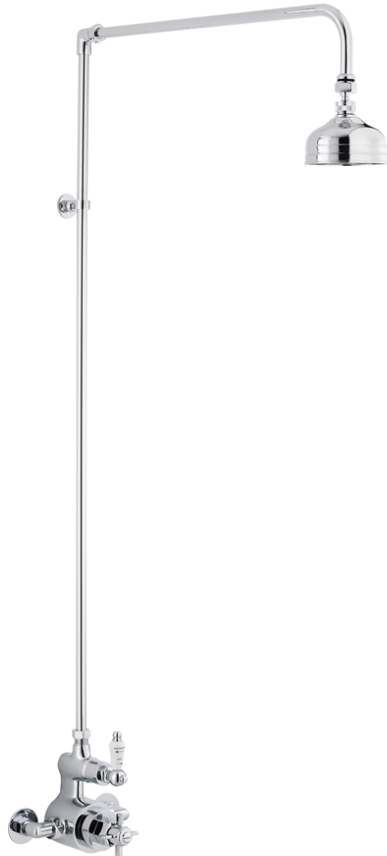


CUSTOMER DATA SHEET - SHOWERS

SALES CODE: CP148

DESCRIPTION: Trad Twin Exp Valve And Rigid Riser Kit



PRODUCT DIMENSIONS

Length(mm)	Width (mm)	Height (mm)	Depth (mm)	Nett Wgt Kg
				0.55

PACKAGING DIMENSIONS

Length (mm)	Width (mm)	Depth (mm)	Gross Wgt Kg
550	550	550	0.55

PACKAGING DATA

Box Colour			
Box Qty		Label Colour	
Label Size	x	Label Qty	

OUTER BOX DIMENSIONS (If Applicable)

Length (mm)	Width (mm)	Height (mm)	Depth (mm)	Gross Wgt Kg
Barcode	5055369037179			

PRODUCT DETAILS

Country of Origin											
Fitting Instruction	Yes										
Product Material											
Mount Type											
Outlet Elbow Supplied											
Easy Clean											
Head Included											
Handset Included											
Body Jets Included											
No of Body Jets											
Operating Pressure (bar)											
Valve/Cartridge Type											
Flow Rates (L/min)	0.1 bar		0.5 bar		1 bar		2 bar		3 bar		
TMV2 Approved					Approval No.						
TMV3 Approved					Approval No.						
WRAS Approved					Approval No.						
Head Function											
Handset Function											
Body Jet Info											
Pipe Size											
Pipe Centres											
Colour/Finish											
Hose Included											