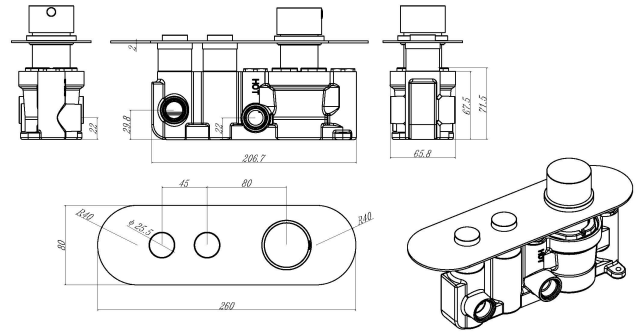


CUSTOMER DATA SHEET - SHOWERS

SALES CODE: CPB1311

DESCRIPTION: Ignite Shower Valve (2 Outlets)



PRODUCT DIMENSIONS

Length(mm)	Width (mm)	Height (mm)	Depth (mm)	Nett Wgt Kg
	80	261	135	2.3

PACKAGING DIMENSIONS

Length (mm)	Width (mm)	Depth (mm)	Gross Wgt Kg
318	242	124	2.4

PACKAGING DATA

Box Colour	White Cardboard Box		
Box Qty	1	Label Colour	White Label
Label Size	100 x 50	Label Qty	1

OUTER BOX DIMENSIONS (If Applicable)

Length (mm)	Width (mm)	Height (mm)	Depth (mm)	Gross Wgt Kg
	242	124	318	
Barcode	5056211804239			

PRODUCT DETAILS

Country of Origin	United Kingdom									
Fitting Instruction	Yes									
Product Material	Brass									
Mount Type	Recessed									
Outlet Elbow Supplied	No									
Easy Clean	Not Applicable									
Head Included	No									
Handset Included	No									
Body Jets Included	No									
No of Body Jets	Not Applicable									
Operating Pressure (bar)	2									
Valve/Cartridge Type	Push Button									
Flow Rates (L/min)	0.1 bar	N/A	0.5 bar	N/A	1 bar	N/A	2 bar	19.7	3 bar	24.9
TMV2 Approved	No		Approval No.		N/A					
TMV3 Approved	No		Approval No.		N/A					
WRAS Approved	No		Approval No.		N/A					
Head Function	Not Applicable									
Handset Function	Not Applicable									
Body Jet Info	Not Applicable									
Pipe Size	15 mm (1/2" Bsp)									
Pipe Centres	N/A									
Colour/Finish	Chrome									
Hose Included	Not Applicable									