

# DSC 3HBF C

## DESCENT Tap Range Descent 3 Hole Bath Filler Chrome



### Features:

- Brass Construction
- 3/4" valve

### Product Certifications:

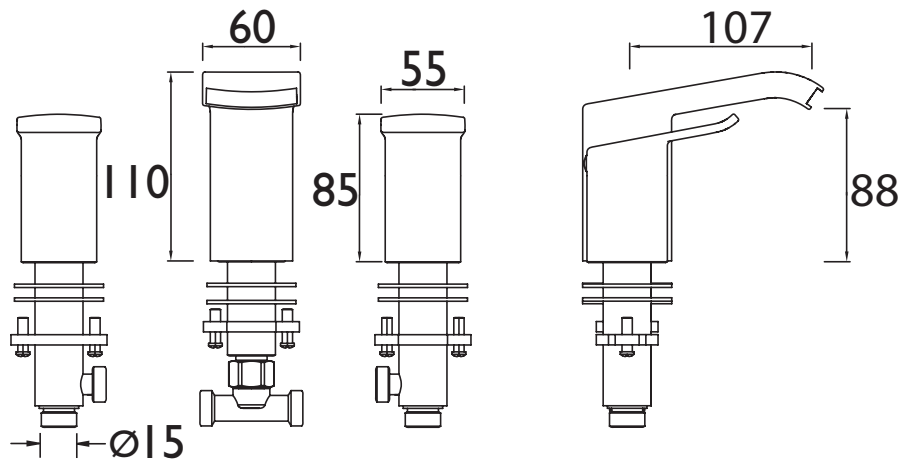
For more products, visit our website:  
<http://www.bristan.com>



### Specification

Style:	Contemporary
Product Type:	Bathroom Taps
Main Construction Material:	Brass
Mount Type:	Deck Mounted
Handle Type:	Lever
Connection Inlet:	3/4" BSP Threaded Tail
Connection Outlet:	N/A
Number of Tap Holes:	3
Valve/Cartridge Type:	3/4" CD Valve 1/4 Turn
Plumbing System Requirements:	All
Working Pressure Range:	Min. 0.4, Max. 5.0
Maximum Hot Water Temperature: °C	60
Maximum Dynamic Pressure: (bar)	5
Maximum Static Pressure: (bar)	10
Flow Type:	Single
Flow Rate: (l/min @ 3 bar)	49
Isolation Included:	No

### Dimensions (measurements in mm)



### Flow Rates (l/min)

System Pressure (bar)	0.4	0.5	1	2	3	5
DSC 3HBF C	24.3	26.6	28.3	40	49	63.2

TECHNICAL  
DATA  
SHEET



**BRISTAN**  
TAPS & SHOWERS  
D2