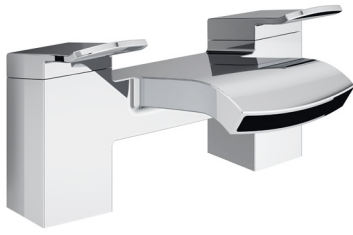


# DSC BF C

## DESCENT Tap Range Descent Bath Filler Chrome



### Features:

- 2 tapholes
- Brass construction
- 3/4" valve

### Product Certifications:

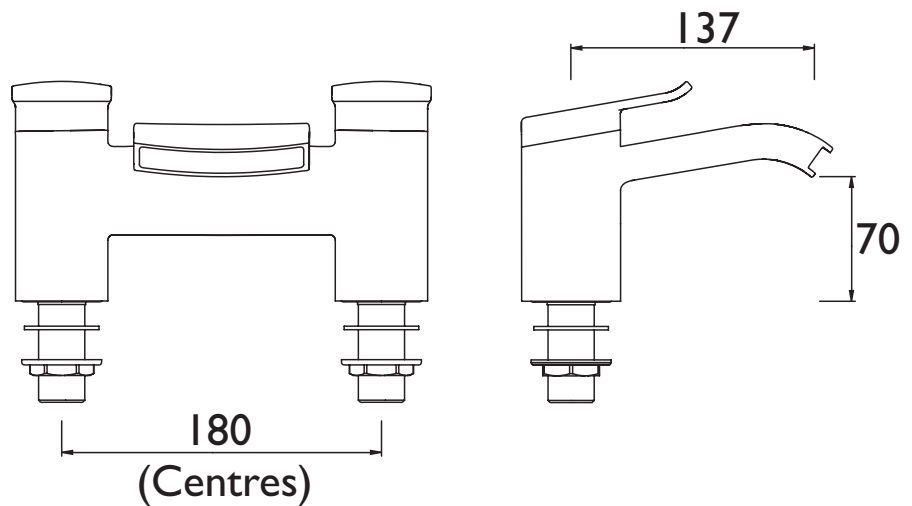
For more products, visit our website:  
<http://www.bristan.com>



### Specification

Style:	Contemporary
Product Type:	Bathroom Taps
Main Construction Material:	Brass
Mount Type:	Deck Mounted
Handle Type:	Lever
Connection Inlet:	3/4" BSP Threaded Tail
Connection Outlet:	N/A
Number of Tap Holes:	2
Valve/Cartridge Type:	3/4" CD Valve 1/4 Turn
Plumbing System Requirements:	All
Working Pressure Range:	Min. 0.2, Max. 5.0 bar
Maximum Hot Water Temperature: °C	60
Maximum Dynamic Pressure: (bar)	5
Maximum Static Pressure: (bar)	10
Flow Type:	Single
Flow Rate: (l/min @ 3 bar)	114.9
Isolation Included:	No

### Dimensions (measurements in mm)



### Flow Rates (l/min)

System Pressure (bar)	0.2	0.5	1	2	3	5
DSC BF C	27.3	46.9	66.3	93.8	114.9	148.3

TECHNICAL  
DATA  
SHEET



**BRISTAN**  
TAPS & SHOWERS

D3