

# DSC BSM C

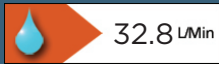
## DESCENT Tap Range Descent Bath Shower Mixer Chrome



### Features:

- 2 tapholes
- Brass construction
- 1.75m hose

### Product Certifications:



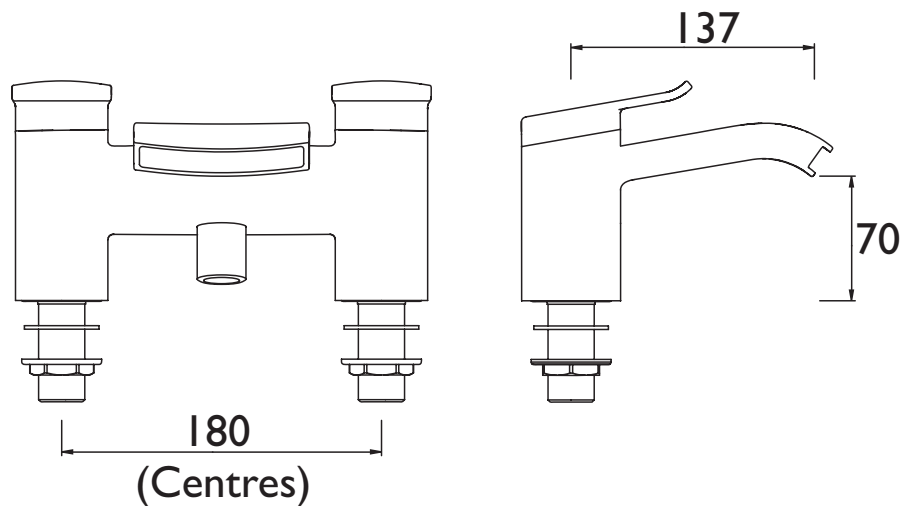
For more products, visit our website:  
<http://www.bristan.com>



### Specification

<b>Style:</b>	Contemporary
<b>Product Type:</b>	Bathroom Taps
<b>Main Construction Material:</b>	Brass
<b>Mount Type:</b>	Deck Mounted
<b>Handle Type:</b>	Lever
<b>Connection Inlet:</b>	3/4" BSP Threaded Tail
<b>Connection Outlet:</b>	G 1/2"
<b>Number of Tap Holes:</b>	2
<b>Valve/Cartridge Type:</b>	3/4" CD Valve 1/4 Turn
<b>Plumbing System Requirements:</b>	All
<b>Working Pressure Range:</b>	Min. 0.3, Max. 5.0 bar
<b>Maximum Hot Water Temperature: °C</b>	60
<b>Maximum Dynamic Pressure: (bar)</b>	5
<b>Maximum Static Pressure: (bar)</b>	10
<b>Flow Type:</b>	Single
<b>Flow Rate: (l/min @ 3 bar)</b>	32.8
<b>Isolation Included:</b>	No

### Dimensions (measurements in mm)



### Flow Rates (l/min)

System Pressure (bar)	0.3	0.5	1	2	3	5
Mixed	19.1	26.8	37.4	52.9	64.8	83.6
Handset	8.9	12.1	19	26.2	32.8	42.3

TECHNICAL  
DATA  
SHEET



**BRISTAN**  
TAPS & SHOWERS

D2